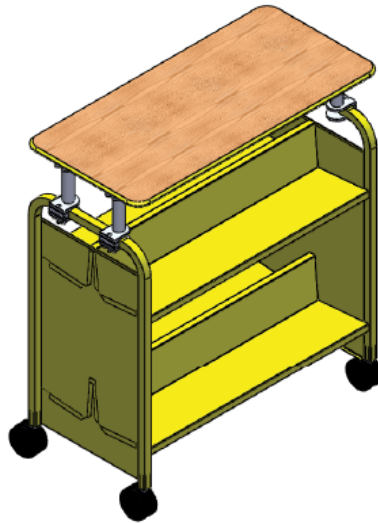




2009 Booktruck Riser Shelf

Assembly Instructions



Booktruck Shelf Part Numbers:

21109 _ _ / _ _ / PL

Special Notes:

1. Check that all components are accounted for and undamaged before assembling.
2. Please assemble product in a clean and dry area.
3. For larger units you may need another person to help assemble the product.
4. Clean the product with a mild cleaner and a damp cloth.

For assistance in assembling product, missing or damaged parts, or to place an order please contact customer service at 1-800-328-1061. You may also place your order online at

www.smithsystem.com

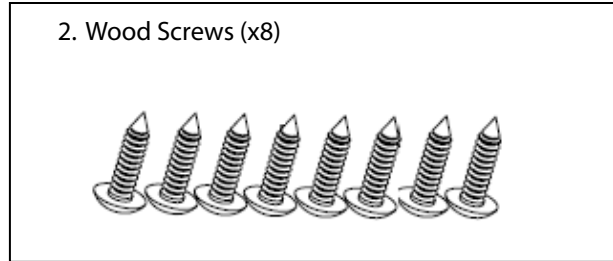
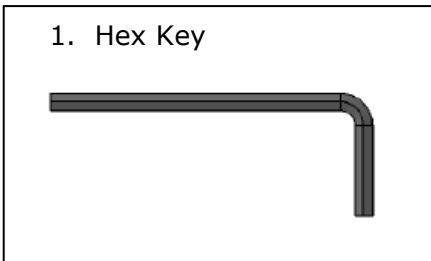


Special Notes:

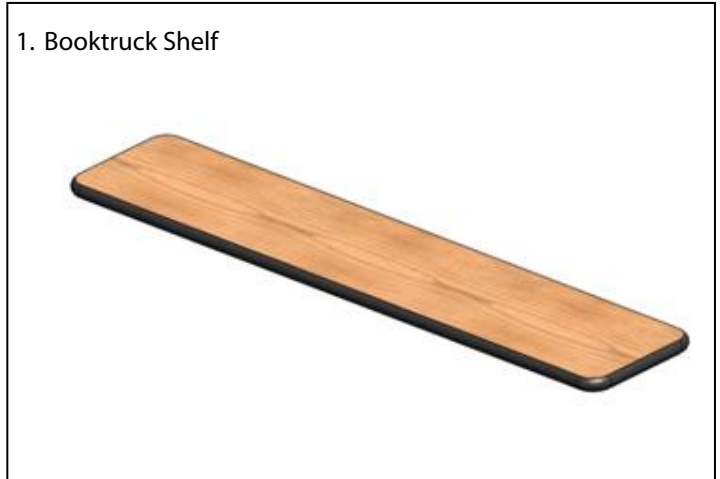
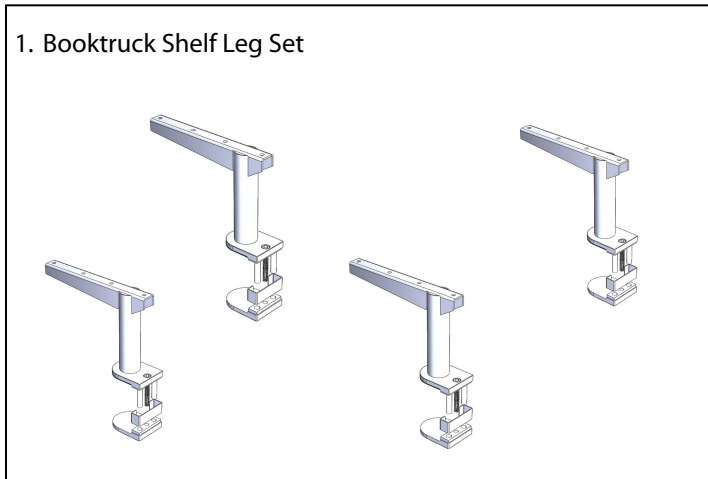
1. Check that all components are accounted for and undamaged before assembling.
2. Please assemble product in a clean and dry area.
3. For larger units you may need another person to help assemble the product.
4. Clean the product with a mild cleaner and a damp cloth.

Tools/Hardware

All tools and Hardware are supplied with the Riser Leg Set



Components:



Notes:

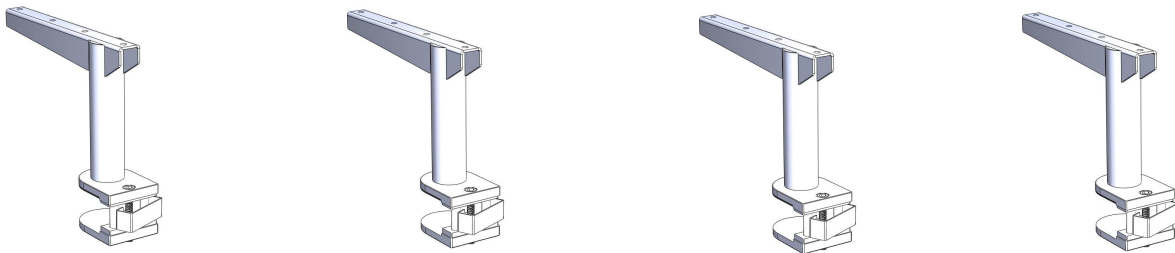
If you have damaged or missing components or hardware please contact customer service at 1-800-328-1061



2009 Booktruck Shelf Assembly Instructions

Step 1: Locate your Booktruck Shelf and your Booktruck shelf leg set. Begin by turning the Booktruck Shelf laminate side down on a clean, dry surface. Place (ea) one of your riser legs on the Shelf and line up the pre-drilled holes to the booktruck shelf leg. Attach the Booktruck shelf leg using the supplied wood screws and a phillips #2 bit. (Repeat this step with all 4 Riser Legs).

Step 2: With your Booktruck Shelf Assembled, it is now time to attach the legs to your Booktruck.



Step 3: Loosen and remove the bolt from each Riser Leg in order to slide the leg clamp around the booktruck handle. With the bolts removed, slide the legs over the booktruck handles and re-assemble each of the 4 Riser Legs. Once all legs are tightened into place, your Booktruck Shelf is ready for use.

