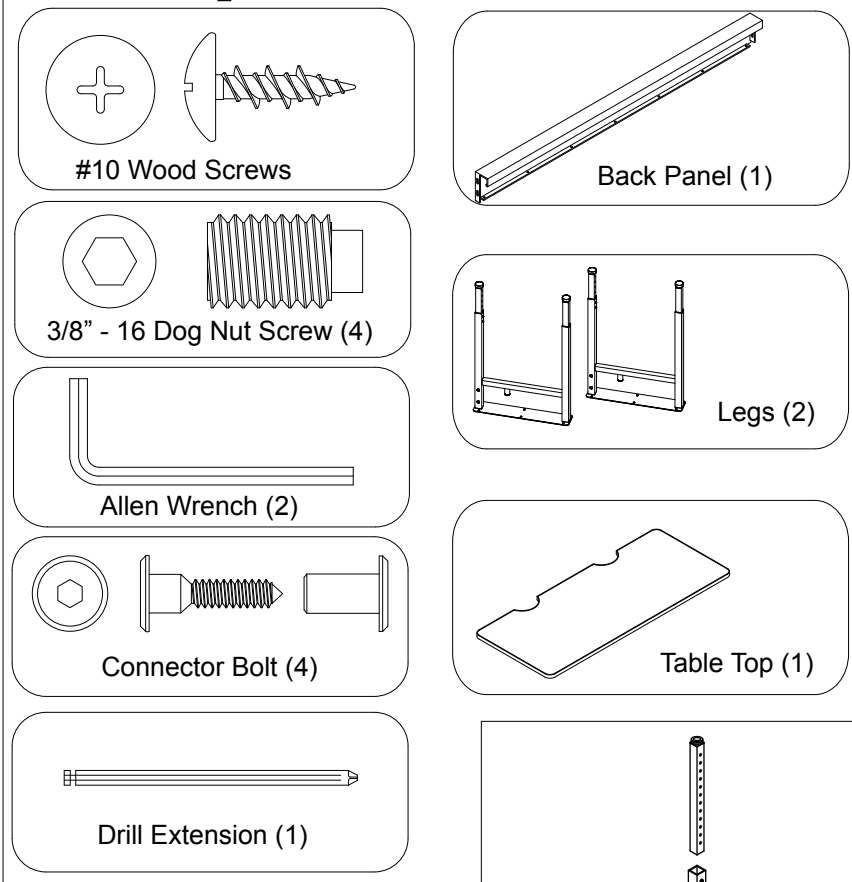




Planner Lab Quick Installation Guide

model 24610, 24500, 24510, 24520, 24620, 24530, 24630, 24540, 24550, 24560, 24570

Required for Installation



Instructions

- Step 1 Place table top on a smooth, clean surface with bottom facing up.
- Step 2 Align the legs to the pilot holes on the table top and use (12) #10 wood screws to loosely attach the legs to top.
- Step 3 Attach the back panel to the legs using the (4) connector bolts and allen wrench provided.
- Step 4 Now go back to Step 2 and tighten the screws to secure the legs to the table top. Using the extended Drill bit secure the back panel to the top. **DO NOT OVER TORQUE SCREWS!**
- Step 5 Once the legs are securely attached adjust the legs to the desired height using the allen wrench provided.

