



SMITH SYSTEM

Furniture for inspired learning.

Graphic Arts Table

Assembly Instructions



SMITH SYSTEM



Children & Schools

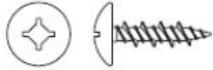





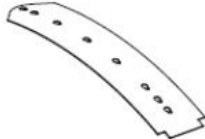
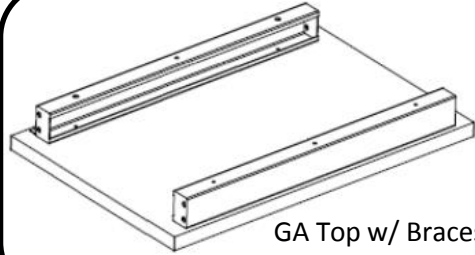
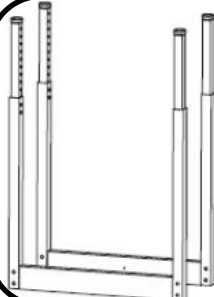


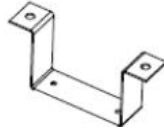
GREENGUARD[®]
Indoor Air Quality Certified

For Assistance in assembling product, missing or damaged parts,
or to place an order, please contact customer service at 800-328-1061

You may also place your order online at

www.smithsystem.com

Hardware and Components

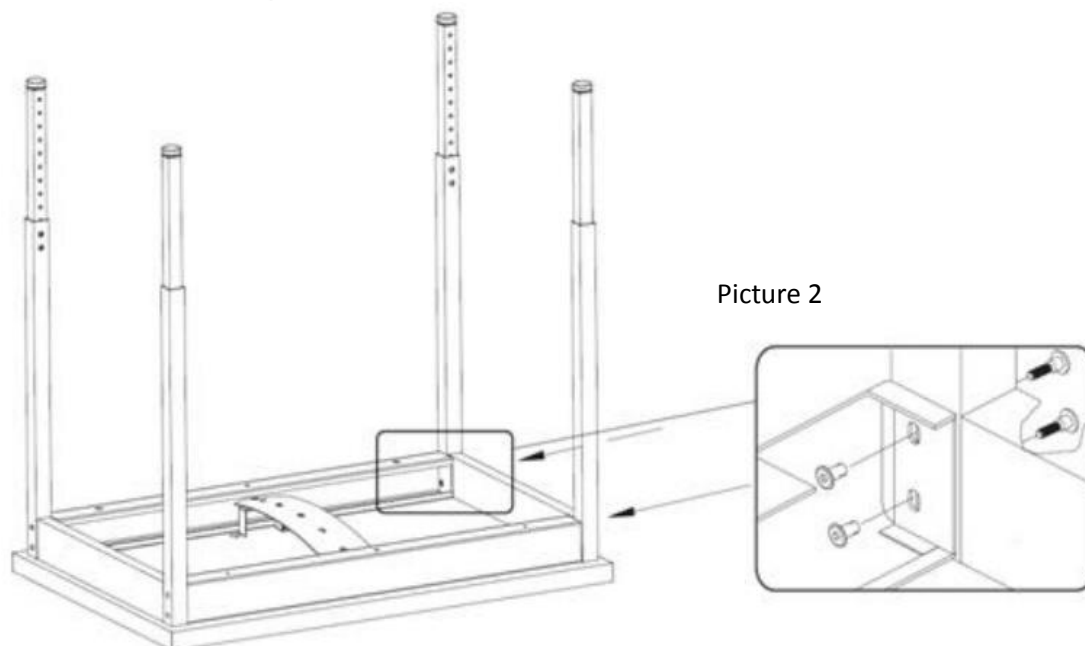
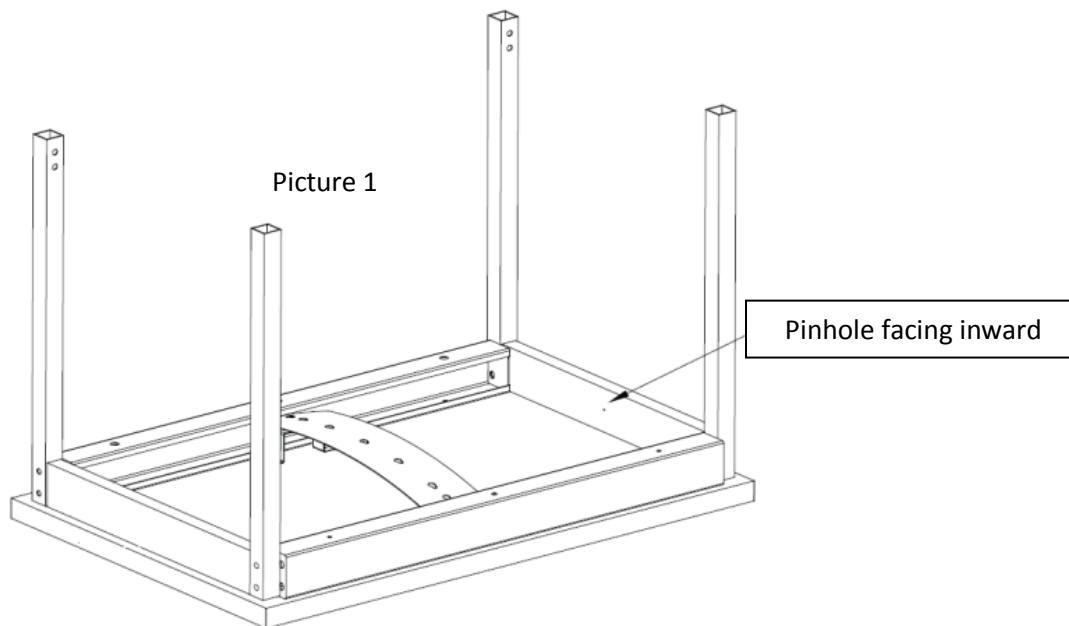
 5/8" #10 Wood Screw P/N: 70080 (QTY: 16)	 P/N: 70868 – ¼-20x30mm Connector Bolt P/N: 70869 – ¼-20x17mm connector Nut (QTY: 8)	 Sheet Metal Screw (QTY: 1)
 Cable Assembly (QTY: 1)	 Allen Wrench 3/16" Short Arm P/N: 77813 (QTY: 2)	 3/8"-16x.625 Set Screw P/N: 77741 (QTY: 8)
 Beaver Tail P/N: 72741 (QTY: 1)	 GA Top w/ Braces (QTY: 1)	 GA Leg Set P/N: 72735 (QTY: 1 set)
 Easel Clip (QTY: 1)	 Pencil Retainer P/N: 78083 (QTY: 1)	<div style="border: 1px solid black; padding: 5px;"> <p>Replacement Hardware Pack: 74119 – Library/New Style GA HDWR Pack:</p> <ol style="list-style-type: none"> 1. (4) 70868 - ¼-20x30mm Connector Bolt 2. (4) 70869 – ¼-20x17mm connector Nut 3. (2) 77813 – Allen Wrench 3/16" </div>
 Spacer Clip Only Models 27344, 27345, 27346		

For Assistance in assembling product, missing or damaged parts,
 or to place an order, please contact customer service at 800-328-1061
 You may also place your order online at

www.smithsystem.com

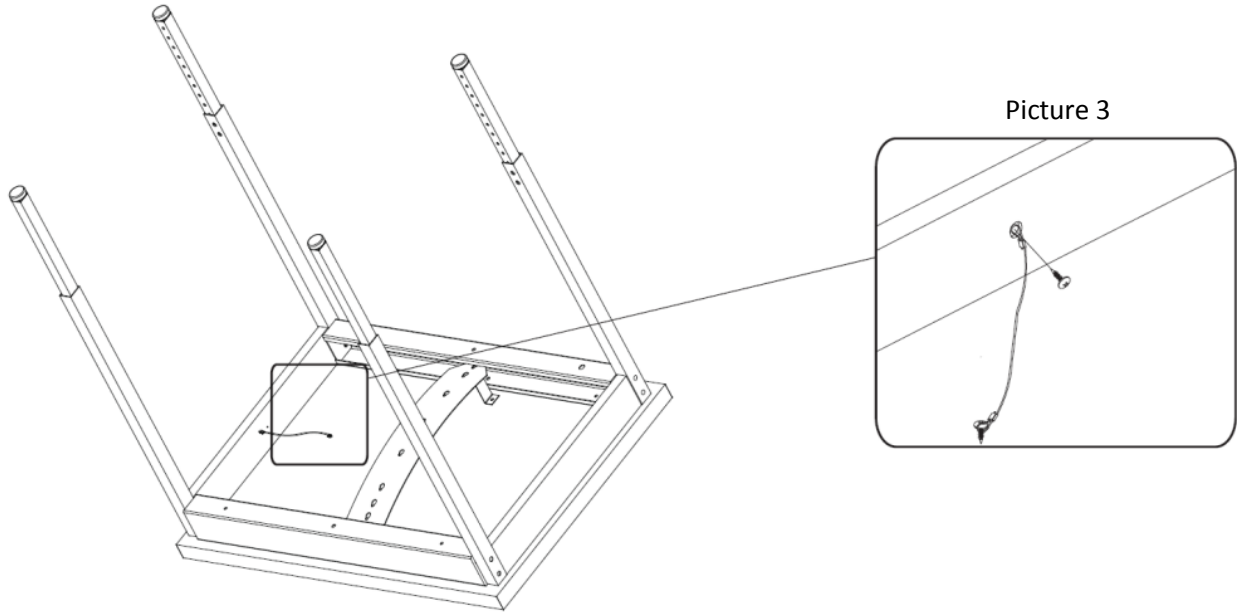
Assembly Instructions

Step 1: NOTE: You will assemble the legs while the top assembly is still in the shipping box. Remove the filler pieces on each end; this should allow some working room to attach the legs. You may break down the short ends of the box to gain more access to the ends. Attach the legs to the front brace and rear brace. Make sure the pinholes on the legs face the desk. Use (4) Connector bolts, (2) per leg (See Picture 1 and 2).

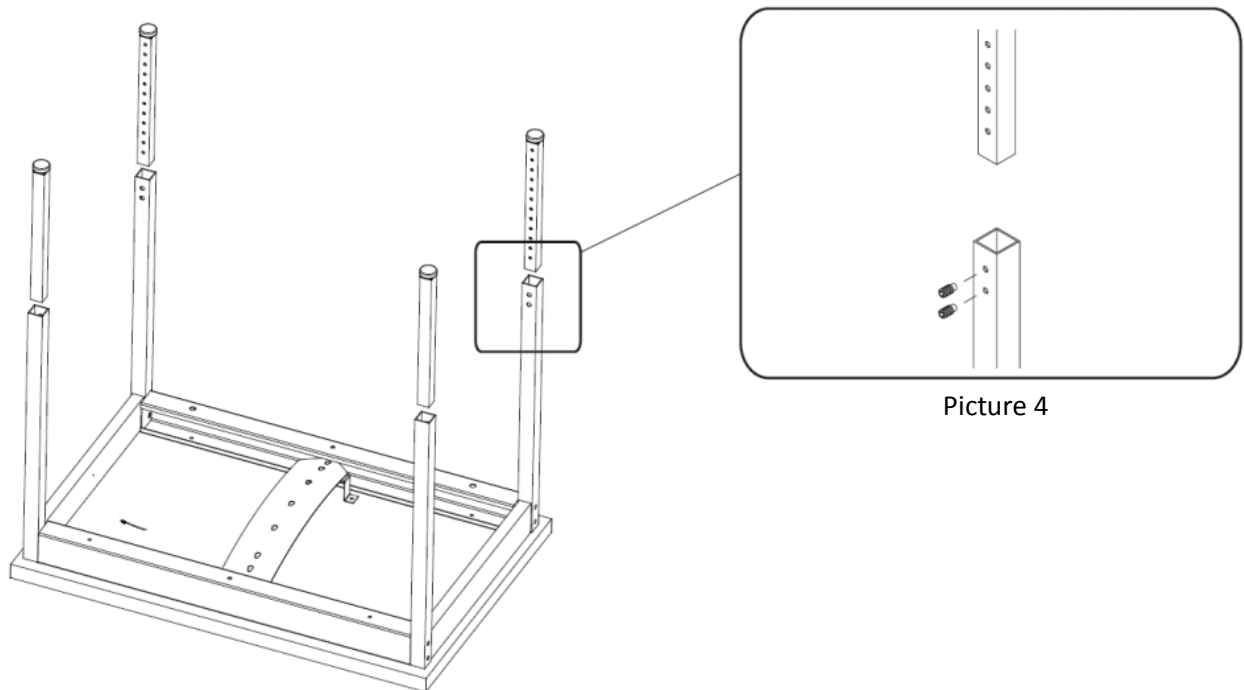


For Assistance in assembling product, missing or damaged parts,
or to place an order, please contact customer service at 800-328-1061
You may also place your order online at
www.smithsystem.com

Step 2: Attach the cable. Take the loose end of the cable and set it flush against the pilot hole on the leg. Using a Phillips head screwdriver, or an electric screwdriver, attach the eyehole of the cable with the sheet metal screw to the leg (See Picture 3).



Step 4: Leg Adjustment: Legs are set to a standard height upon arrival. If you require a different height, use the provided allen wrench to loosen the set screws, set the leg stem to the height, and re-tighten the set screw (See Picture #4).



For Assistance in assembling product, missing or damaged parts,
or to place an order, please contact customer service at 800-328-1061
You may also place your order online at
www.smithsystem.com