

MODEL #25030L

Chat Planner Activity Table - 36" Round

DESIGN:

The Chat Planner Activity table is an ideal table to pair with our Chat seating to create a custom learning environment. The Chat Planner Activity table provides a sturdy work surface, great for common areas or libraries.

MATERIALS:

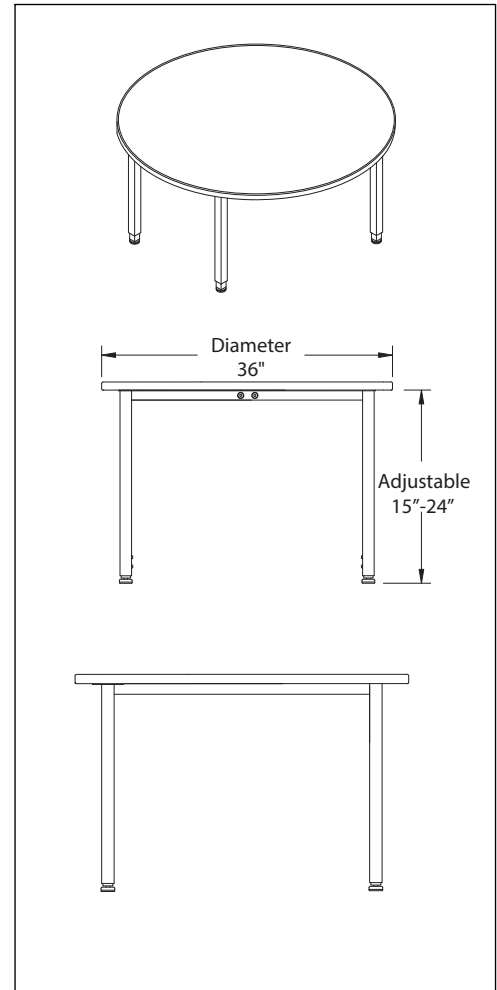
The 1 1/4" or 3/4" thick work surface consists of 45 lb. density particle board core with a .030" high-pressure laminated surface and a .020" melamine backer sheet. The edge of the work surface features t-mold of your choice that is mechanically fastened every 6 to 8 inches to assure a long lasting fit. The top is pre-drilled for ease of installation.

The frame consists of two fully welded leg segments and a center support channel. The legs are attached to the pre-drilled holes in the top with (16) #10 x 5/8" wood screws through a 3 1/8" w x 18" L 12-gauge steel mounting plate. The mounting plate is welded to (2) 1 1/4" square 12-gauge steel tube legs which is welded to a 1" x 2" 14-gauge steel tube cross bar. The leg inserts are 1" square 14-gauge steel tube and adjust in height from 15" to 24" in 1" increments. Leveling glides are on each table leg allowing for stability on uneven floors. The adjustment for each leg is secured with (2) 3 3/4" -16 x .675" Allen screws. The center support channel is 2" x 3" 14-gauge steel, with 11-gauge steel end plates for maximum stability. The center support channel is connected to the legs by (4) connector bolts.

DIMENSIONS & FREIGHT:

Model	Description	D"	W"	H"	F.C.	Cube	Wt.	UPS
25030L	Chat Table - 36" Round	36	36	15-24	70		80	

PRODUCT SPECIFICATIONS:



1 1/4" Tops

Chat Planner Tables Have Top and Edge Choices

CHOICE 1 - 1 1/4" top with Bumper T-Mold
no letter to follow Model No.

CHOICE 3 - 1 1/4" top with 4mm T-Mold
D to follow Model No.

3/4" Tops

CHOICE 5 - 3/4" top with 4mm T-Mold
C to follow Model No.

CHOICE 6 - 3/4" top with Bullet T-Mold
V to follow Model No.

AVAILABLE COLORS:

Chat Planner Table Laminate Color Choice



Frame Color Choice



Chat Planner Table Edge Choice

