

# booktruck riser top

model #: 21109

booktruck riser shelf with pole riser kit

**DIMENSIONS & FREIGHT:**

MODEL #	D"	W"	H"	F.C.	WEIGHT
21109	18"	38"	1.25"	70	19 lbs.

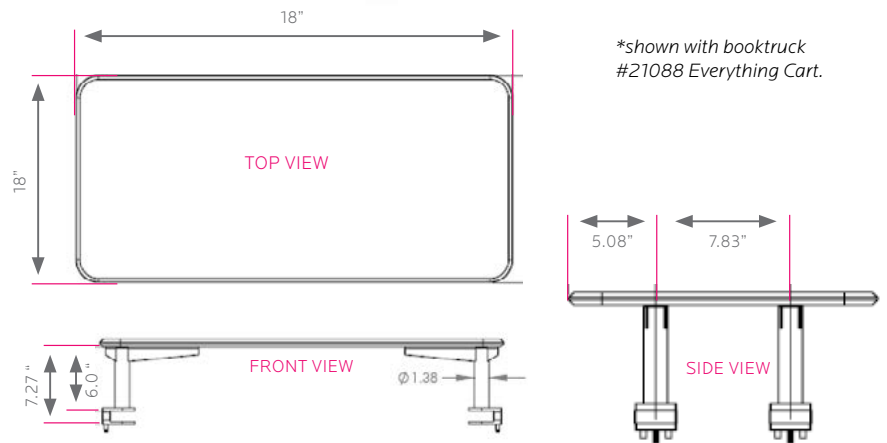
**OVERVIEW:**

The Booktruck riser top is compatible with any one of the 36" wide Smith System™ Booktrucks offered. Attachment is achieved with a set of four (4) riser posts finished in platinum.

**MATERIALS:**

The top shelf consists of a 1 1/4" thick, 45 lb. density particle board core with a .030 high-pressure laminated surface and a .020" melamine backer sheet. The edge of the work surface features 3/8" bumper or 4mm edge molding that is mechanically fastened every 6 to 8 inches to assure a long lasting fit. The top is pre-drilled for ease of installation.

The shelf is securely attached to the riser poles with eight (8) wood screws - two (2) for each post. The riser poles are constructed of 16-gauge steel and powder coated for a long lasting, durable finish. Poles clamp to booktruck frame using included Allen wrench tool.



**FRAME**

- PLATINUM **PLT**

**EDGE CHOICES**

- APPLE **A**
- BLACK **B**
- BLUEBERRY **C**
- BURGUNDY **D**
- CERULEAN **S**
- CHAMPAGNE **O**
- CHARCOAL **R**
- CHOCOLATE **Q**
- CLEMENTINE **E**
- FOREST GREEN **F**
- FUCHSIA **G**
- MINT **H**
- MOCHA **T**
- NAVY **I**
- PERSIAN BLUE **J**
- PURPLE **K**
- RED **L**
- WHITE **M**
- YELLOW **N**
- PLATINUM **P**

**LAMINATE CHOICES**

- AMBER CHERRY **AME**
- ASIAN NIGHT **ANG**
- BLOND ECHO **BEE**
- FUSION MAPLE **MAP**
- GOLDEN OAK **GOK**
- GREY MESH **GRE**
- GREY NEBULA **GNB**
- NEW AGE OAK **NEW**
- PEWTER MESH **PEW**
- TAN ECHO **TAC**
- WILD CHERRY **CHE**