

# activity table - leg options

model #: 01180, 01181, 01182

## activity table leg options

### DIMENSIONS + FREIGHT:

MODEL #	H"	F.C.	CUBE	WEIGHT
01180	21"-30"	70	0.6	10 lbs.
01181	15"-24"	70	0.5	10 lbs.
01184	11"-16"	70	0.5	9 lbs.

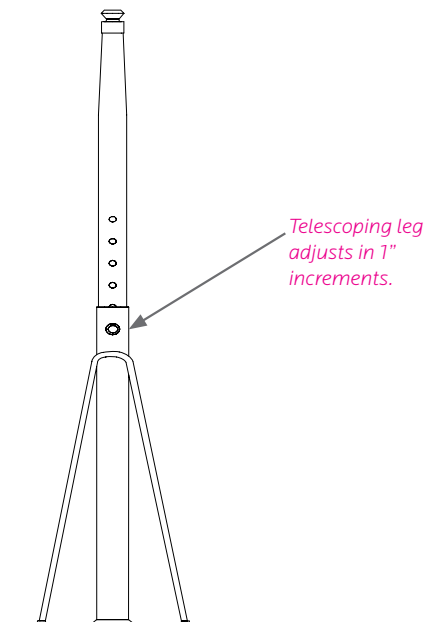
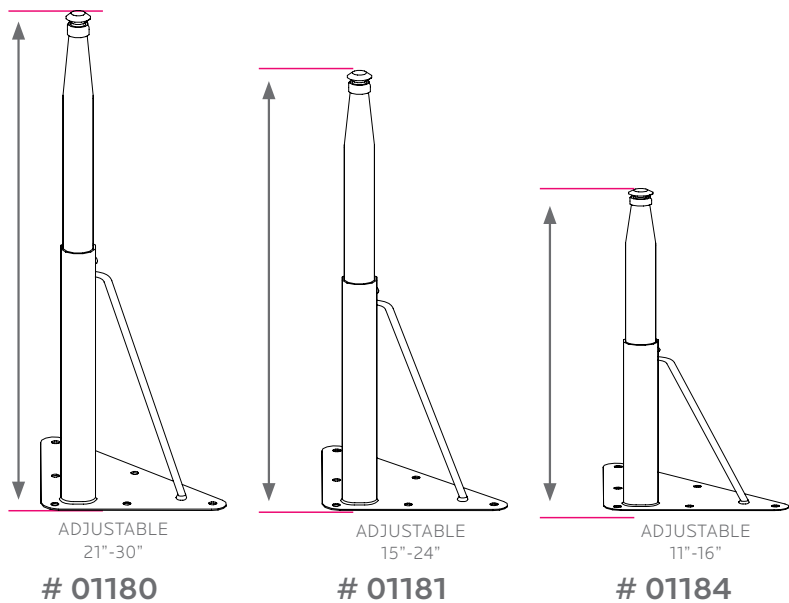
### OVERVIEW:

Smith System™ 'standard' Activity Tables are available in three height ranges - adequate for students from pre-K through adult.

#### Legs available in a choice of three height ranges:

- 21"-30"
- 15"-24"
- 11"-16"

The **UPPER LEG** is made of an 18-gauge 1" diameter steel tube that is protected by a durable powder coat finish (available in 8 different colors) and a 16-gauge mounting plate which adds stability and strength. Legs attach to an easy-on bracket that is already mounted to the desktop, requiring only one screw per leg for secure assembly. The 12-gauge **LOWER LEG** is a chrome-plated tube to resist scuffing. The telescoping leg adjusts in 1" increments, and is swedged to accept our outside hold design which stays longer and lasts longer as well as features a chrome-plated swivel base & nylon contact pad.



### ACTIVITY LEG COLOR CHOICE

- BLACK
- NAVY
- PLATINUM
- RED
- FOREST GREEN
- PERSIAN BLUE
- PURPLE
- YELLOW