



RECTANGLE
#01475V



RECTANGLE
#01476V



RECTANGLE
HARD-PLASTIC
#01477

MODEL 01475V
ELEMENTAL RECTANGLE DESK
GREY MESH / WHITE / BLACK-BLACK

ELEMENTAL STUDENT DESKS

Rectangle top, wave top or hard plastic rectangle.

OVERVIEW

A lightweight option with heavyweight benefits.

Although similar to other open-front desks, Elemental is a first of its kind. Constructed from lightweight polypropylene, it's an ideal material that provides durability, without the heft – and hassle. And, installing desk legs is quick and easy. In fact, it's elementary!

The Elemental Desk allows the designer to choose the top finish, T-Mold (for laminated tops), Bookbox and leg colors and to combine them in countless combinations. It offers an innovative system for attaching legs that makes installation quick and easy.

- 3/4" high-pressure laminate top is standard.
- Bullet-shaped T-Mold contributes to a lighter profile.
- Contoured sides add strength while creating a contemporary look.
- Fully integrated pencil tray and plastic Bookbox.
- Strong, 18-gauge steel upper legs have durable powder coat surfaces.
- Durable 16-gauge steel lower legs are chrome plated to resist wear.
- 1" adjustable leveling glides provide stability on uneven floors.



Shown in Grey Mesh top with Blueberry edge, Bookbox and leg.

Rectangle Top (laminated w/ edge band)

MODEL	DESCRIPTION	D"	W"	H"	WT.	UPS
Rectangle top						
01475V	Open Front Desk	20	27	23-32	26	*



Shown in Pewter Mesh top with Persian Blue edge and Platinum Bookbox and leg.

Wave Top (lamianted w/ edge band)

MODEL	DESCRIPTION	D"	W"	H"	WT.	UPS
Wave top						
01476V	Open Front Desk	20	27	23-32	26	*



Shown in Maple top with Burgundy Bookbox and leg.

*Rectangle Top (*Hard Plastic top)

MODEL	DESCRIPTION	D"	W"	H"	WT.	UPS
Hard plastic top						
01477	Open Front Desk	20	27	23-32	24	*

HARD PLASTIC DESK TOP COLOR CHOICE

- CHERRY
- OAK
- SAND
- MAPLE
- GREY

Hard plastic is not available through the Quick Ship program.

Elemental Desks Have Top and Edge Choices

1 1/4" Tops

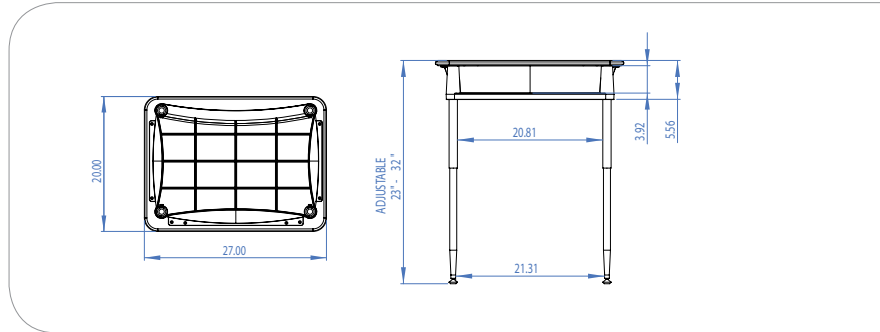
CHOICE 1 - 3/8" Bumper T-Mold
no letter to follow Model No.

CHOICE 2 - 1 1/4" top with 4mm T-Mold
D to follow Model No.

3/4" Tops

CHOICE 3 - 3/4" top with 4mm T-Mold
C to follow Model No.

CHOICE 4 - 3/4" top with Bullet T-Mold
V to follow Model No.



elemental desk
COLOR SELECTION

HARD PLASTIC DESK TOP COLOR CHOICE

- CHERRY
 - OAK
 - SAND
 - MAPLE
 - GREY
- Hard plastic is not available through the Quick Ship program.

ELEMENTAL DESK LAMINATE COLOR CHOICE

- Amber Cherry
- Blond Echo
- Golden Oak
- Grey Nebula
- Pewter Mesh
- Wild Cherry
- Asian Night
- Fusion Maple
- Grey Mesh
- New Age Oak
- Tan Echo

ELEMENTAL DESK BOOKBOX AND LEG COLOR CHOICE

- Apple
 - Burgundy
 - Forest Green
 - Navy
 - Red
 - Black*
 - Chocolate
 - Fuchsia
 - Platinum*
 - Yellow
 - Blueberry
 - Clementine
 - Mint
 - Purple
- * Black and Platinum Bookboxes and Legs are stocked. Other colors require minimum order and extended lead times.

ELEMENTAL DESK EDGE COLOR CHOICE

- Apple
- Burgundy
- Chocolate
- Fuchsia
- Navy
- Platinum
- White
- Black
- Cerulean
- Clementine
- Mint
- Orange
- Purple
- Yellow
- Blueberry
- Charcoal
- Forest Green
- Mocha
- Persian Blue
- Red



FOR MORE INFORMATION CALL 1-800-328-1061
OR VISIT WWW.SMITHSYSTEM.COM

