

elemental open front desk

model #: 01477

*elemental 20" x 27" open front desk
HARD - PLASTIC*

OVERVIEW:

The Elemental open front desk is the first of its kind; light, adaptable and versatile. The work surface is attached to an integral bookbox, which is also the desks' frame. Leg inserts easily install into the bookbox to create a simple, one-step install.

MATERIALS:

01477 - RECTANGULAR HARD PLASTIC TOP:

Molded under high pressure from thermosetting melamine resin. Has a smooth surface which resists scratching, gouging, staining and is non-burning. Meets California firecode CAL TB 133.

The **SUPPORT FRAME** with integral bookbox is made of polypropylene, making it very light (4 lb.), with color throughout and a distinct texture. The frame is fastened to the top and completely positions and secures the adjustable legs. The inside of the bookbox is spacious having inside dimensions of 14.5"d, 20"w and 4" high. The pencil trough at the front is a generous width at 1.4".

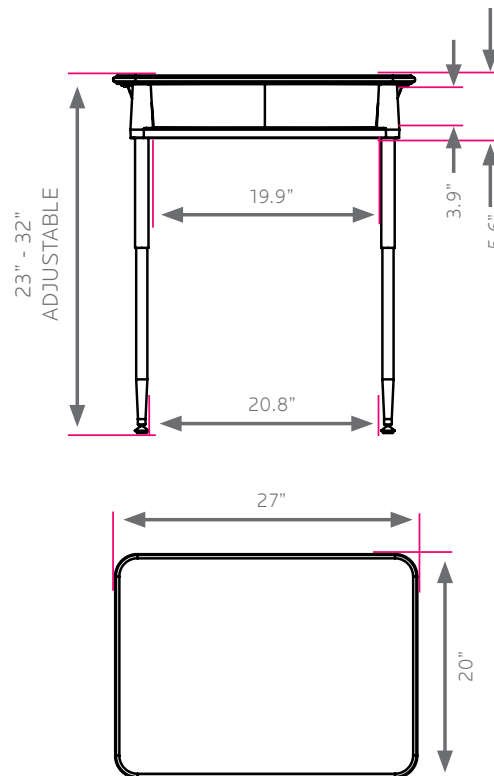
The **ADJUSTABLE LEGS** are 1 3/16" in diameter made from 18 gauge steel and allows the desk to adjust from 23"-32" in height. Each leg has a 1 inch leveling glide. These legs are installer-friendly, requiring no drill or fasteners to attach them to the frame. The Elemental manages to give you maximum storage space in a very compact footprint. The Elemental rewards you with simplicity, durability and it's aesthetic appeal.



01477

DIMENSIONS + FREIGHT:

MODEL #	DESCRIPTION	D"	W"	H"	F.C.	CUBE	WEIGHT
01477 hard plastic	hard plastic rectangle	20"	27"	23" - 32"	85	1.3	24 lbs.



Elemental Bookbox + Leg Set Color Options



BLACK

BLA



PLATINUM

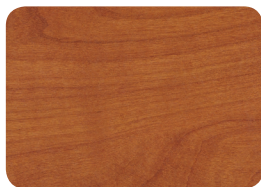
PLT

Elemental Hard Plastic Color Options

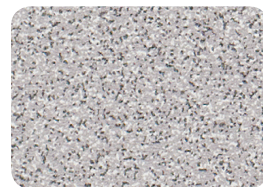
Hard plastic is not available through the Quick Ship program.



MAPLE



CHERRY



GREY