

interchange 3-2-1 'ls' desk

model #: 03011

DIMENSIONS + FREIGHT:

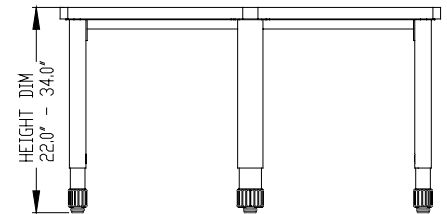
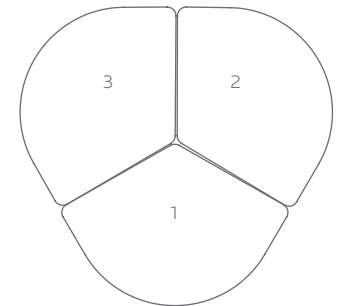
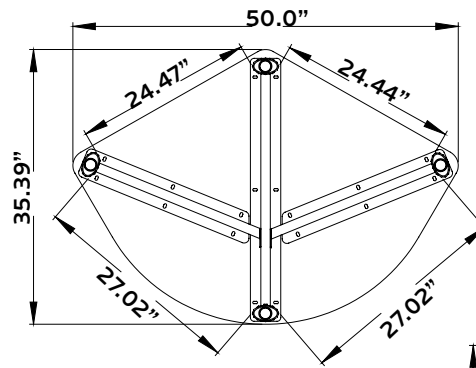
MODEL #	D"	W"	H"	F.C.	CUBE	WEIGHT
03011	35.39"	50"	22" - 34"	70	2.4	67 lbs
carton	36"	60"	3.125"			
carton #2	36"	24"	4"			

OVERVIEW:

The shape allows the 3-2-1 Desk to be arranged to fit the day's lesson plan. For a lecture or testing, 3-2-1 Desks can be lined up in rows; for group work, the tables can be arranged in partial and full circles. Best for pre-k through grade 2 cooperative learning classrooms.

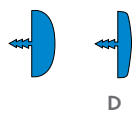
The **WORK SURFACE** consists of a 45 lb density particle board core with a 0.030" high pressure laminated surface and a 0.020" melamine backer sheet. The edge of the work surface features a t-mold edge that is mechanically fastened to the underside of the work surface every 6 to 8 inches to assure a long lasting fit. 1 1/4" or 3/4" thick top.

The **ELLIPSE LEGS** are made out of 1" x 2" 14-gauge oval steel tubing which is protected with a durable powder coat finish that matches the color of the nylon cap. The legs are welded to a square brace and a plate for added surface contact and weight distribution. Includes 1" adjustable leveling glides with locking stops to provide stability on uneven floors.

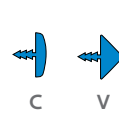


INTERCHANGE TOP & EDGE PROFILE

1 1/4" TOP



3/4" TOP



Make it mobile with 3" casters
Order Model 17576
Black or Platinum cap available.

add Cascade tote-tray storage.
Order Model 66013

FRAME

- BLACK
- PLATINUM

EDGE CHOICES

- APPLE
- CHAMPAGNE
- FUCHSIA
- PURPLE
- BLACK
- CHARCOAL
- MINT
- RED
- BLUEBERRY
- CHOCOLATE
- MOCHA
- WHITE
- BURGUNDY
- CLEMENTINE
- NAVY
- YELLOW
- CERULEAN
- FOREST GREEN
- PERSIAN BLUE
- PLATINUM
- ORANGE

LAMINATE CHOICES

- AMBER CHERRY
- GOLDEN OAK
- PEWTER MESH
- ASIAN NIGHT
- GREY MESH
- TAN ECHO
- BLOND ECHO
- GREY NEBULA
- WILD CHERRY
- FUSION MAPLE
- NEW AGE OAK