



UXL WING DESK

UXL Wing Desk, Model XLSSWGACPLTFC

Shown in Tan Echo top with Platinum edge and Platinum frame.
Shown with optional fixed-height leg with casters (FC).

OVERVIEW

The UXL Wing Desk is contemporary, customizable in appearance and, thanks to its wing shape work surface, highly versatile. It allows you to maintain a consistent design scheme with the UXL furniture throughout the building or facility. Choose from 10 standard laminate colors, and 20 standard edge colors. **Platinum frame only.**

- UXL Desks are standard with a 3/4" Bullet T-Mold and fixed-height legs (FL).
- Optional 1 1/4" thick work surface available.

COLOR OPTIONS

EDGE CHOICES

| | | |
|---------------|------------------|------------------|
| ● APPLE A | ● CHOCOLATE Q | ● PERSIAN BLUE J |
| ● BLACK B | ● CLEMENTINE E | ● PURPLE K |
| ● BLUEBERRY C | ● FOREST GREEN F | ● RED L |
| ● BURGUNDY D | ● FUCHSIA G | ○ WHITE M |
| ● CERULEAN S | ● MINT H | ● YELLOW N |
| ● CHAMPAGNE O | ● MOCHA T | ● PLATINUM P |
| ● CHARCOAL R | ● NAVY I | |

LAMINATE CHOICES

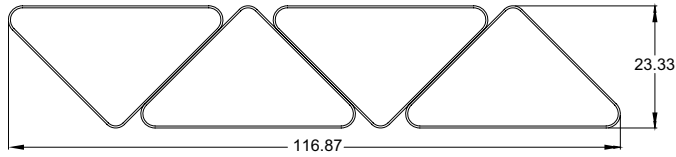
| | | |
|--------------------|-------------------|-------------------|
| ● AMBER CHERRY AME | ● GOLDEN OAK GOK | ● PEWTER MESH PEW |
| ● ASIAN NIGHT ANG | ● GREY MESH GRE | ● TAN ECHO TAC |
| ● BLOND ECHO BEE | ● GREY NEBULA GNB | ● WILD CHERRY CHE |
| ● FUSION MAPLE MAP | ● NEW AGE OAK NEW | |



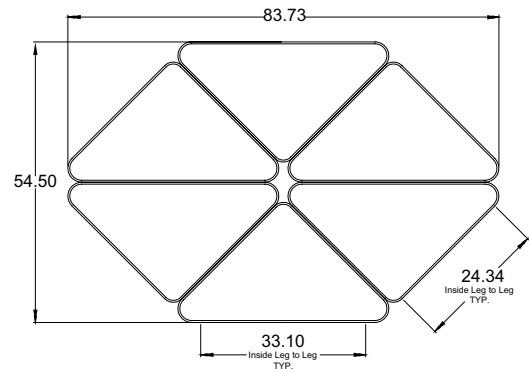
UXL WING DESK



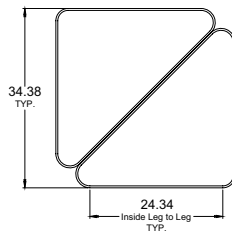
| MODEL | DESCRIPTION | D" | W" | H" | F.C. | CUBE | WT. | UPS |
|-----------------|------------------------------|------|----|------|------|------|-----|-----|
| XLSSWG--- PLTFL | UXL Wing Fixed-height leg | 23.5 | 41 | 29.5 | 85 | | 40 | * |



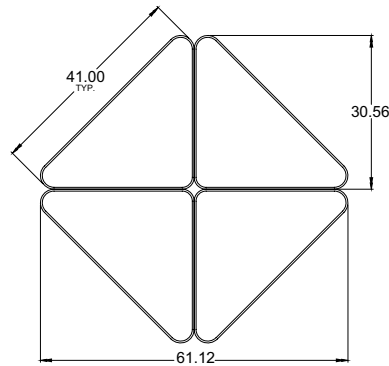
Linear Arrangement



6-Grouping Circle



2-Grouping

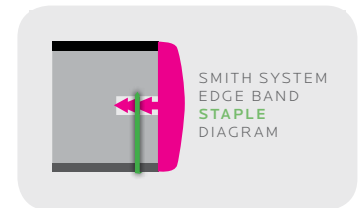


4-Grouping

UXL LEG OPTIONS



| | | | | |
|---------|-----------------|---------|-----------------|---------|
| FL | AL | FC | AC | TL |
| | SL | | SC | TG |
| 29.5" H | 27.5" - 33.5" H | 29.5" H | 26.5" - 33.5" H | 29.5" H |
| | 23.5" - 29.5" H | | 23.5" - 29.5" H | |



FOR MORE INFORMATION CALL 1-800-328-1061
OR VISIT WWW.SMITHSYSTEM.COM

