

silhouette two-student 20 x 48

29.5" fixed-height
w/ glide

model #: 01662

DIMENSIONS + FREIGHT:

| MODEL # | D" | W" | H" | F.C. | CUBE | WEIGHT |
|---------|-----|-----|-------|------|------|---------|
| 01662 | 20" | 48" | 29.5" | 70 | 1.3 | 75 lbs. |

*FOR ADJUSTABLE-HEIGHT 19'-31"H LEG SET SEE MODEL #: 01660

OVERVIEW:

Shipped ready to assemble, these desks have a heavy-duty work surface that won't sag under heavy books or equipment. The Silhouette Desk is great for rows, pairs, or groupings for collaborative learning.

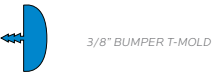
The **WORK SURFACE** consists of a 45 lb density particle board core with a .030" high pressure laminated surface and a .020" melamine backer sheet. The edge of the work surface features 3/8" bumper edge molding that is fastened every 6 to 8 inches to assure a long lasting fit. The frame is attached to the pre-drilled holes in the top with (6) #10 screws through a 1" x 1.75" 18-gauge steel channel. The mounting channel is welded to a 1" x 2" rectangular 16-gauge steel tube leg. The leg inserts are 1" x 1.75" 16-gauge steel tube and are fixed in height at 29.5".

The legs are tied together for added strength with a 1" x 2" 16-gauge steel tube stretcher bar and (4) bolts. Legs have 1" leveling glides. Book Box is optional (Model 17190), all welded 22-gauge steel construction that has a curled hem on the front opening. Book box comes in a BLACK powdercoat finish, Platinum is special order only.

***Book box sold seperately.**

SILHOUETTE TOP & EDGE PROFILE

1 1/4" TOP



3/8" BUMPER T-MOLD



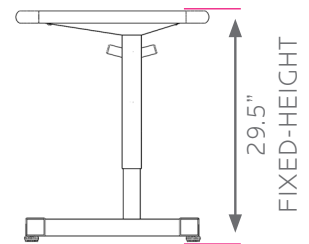
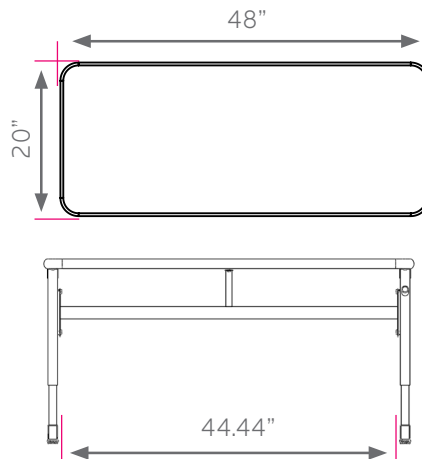
D 4MM T-MOLD

OPTIONAL ACCESSORIES

| MODEL # | | D" | W" | H" | F.C. | CUBE | WEIGHT |
|---------|----------------------|-------|-------|------|------|------|---------|
| 17190 | steel bookbox | 15" | 20" | 4" | 70 | 3.0 | 8 lbs. |
| 17200 | wire book-basket | 15" | 18" | 3.5" | 70 | 3.0 | 5 lbs. |
| 30925 | SW tray w/ housing | 16.8" | 13.5" | 3" | 70 | 1.2 | 8 lbs. |
| 30926 | EW tray w/ housing | 16.8" | 19.6" | 3" | 70 | 1.2 | 10 lbs. |
| 17576 | 3" casters, set of 4 | | | 3" | 70 | 0.1 | 5 lbs. |



*MODEL 01660 ADJUSTABLE 19"-31"H SHOWN



FRAME

- BLACK
- PLATINUM

EDGE CHOICES

- APPLE
- BLACK
- BLUEBERRY
- BURGUNDY
- CERULEAN
- ORANGE
- CHAMPAGNE
- CHARCOAL
- CHOCOLATE
- CLEMENTINE
- FOREST GREEN
- FUCHSIA
- MINT
- MOCHA
- NAVY
- PERSIAN BLUE
- PURPLE
- RED
- WHITE
- YELLOW
- PLATINUM

LAMINATE CHOICES

- AMBER CHERRY
- ASIAN NIGHT
- BLOND ECHO
- FUSION MAPLE
- GOLDEN OAK
- GREY MESH
- GREY NEBULA
- NEW AGE OAK
- PEWTER MESH
- TAN ECHO
- WILD CHERRY