

# uxl crescent 72"



- UL72CR is standard with a 1 1/4" top and 3/8" bumper T-Mold with fixed-height legs (FL).

model #: UL72CR\_---\_PLTFL

uxl crescent table 36" x 72"

**DIMENSIONS + FREIGHT:**

| MODEL # | D"  | W"  | H"    | F.C. | CUBE | WEIGHT   |
|---------|-----|-----|-------|------|------|----------|
| UL72CR  | 36" | 72" | 29.5" | 70   |      | 120 lbs. |
| carton  | 41" | 75" | 3"    |      |      |          |

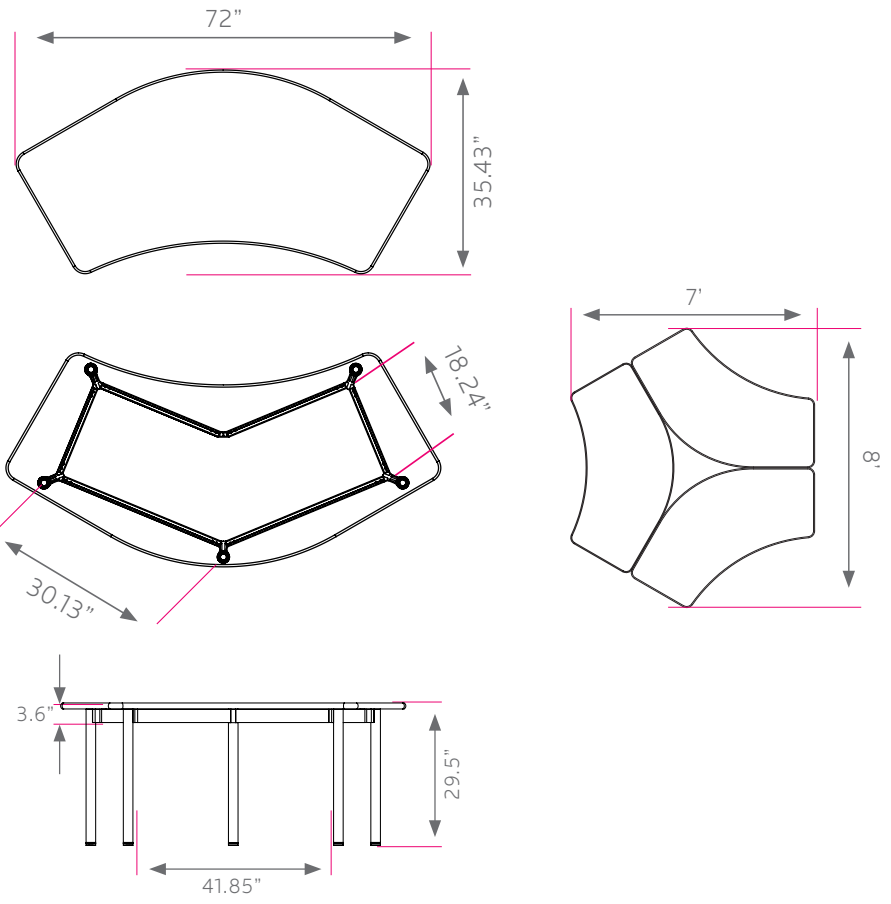
**OVERVIEW:**

Create a dynamic workspace for groups of up to 6 students with UXL Crescent Tables' unique design. They allow you to maintain a consistent design scheme throughout the building.

**MATERIALS:**

The 3/4" or 1 1/4" thick **WORK SURFACE** consists of a 45 lb density particle board core with a 0.030" high pressure laminated surface and a 0.020" melamine backer sheet. The edge of the work surface features edge molding that is mechanically fastened to the underside of the work surface every 6 to 8 inches to assure a long lasting fit.

The frame is attached to the pre-drilled holes in the top with #10 x 5/8" screws. The legs then fasten into the frame at each corner. The frame comes fully assembled requiring only two bolts per leg to complete installation. The table frame is a boxed tube design made of aircraft grade aluminum to reduce weight, while being very stable and sturdy. The 16-gauge steel legs are 2" diameter and powder coated for a long lasting durable finish. Legs are available in different configurations, see chart.



**UXL TOP & EDGE PROFILE**

1 1/4" TOP

3/4" TOP



**UL**

**U8**

**X8**

**XL**

3/8"

4MM

4MM

BULLET

BUMPER

T-MOLD

T-MOLD

T-MOLD

**UXL LEG OPTIONS**



**FL**

**AL  
SL**

**FC**

**AC  
SC**

**TL  
TG**

29.5"H

27.5" - 33.5"H  
23.5" - 29.5"H

29.5"H

26.5" - 33.5"H  
23.5" - 29.5"H

29.5"H

## UXL Frame Color Options



PLATINUM  
PLT

|                        |                     |          |          |                 |     |  |
|------------------------|---------------------|----------|----------|-----------------|-----|--|
| Choose<br><b>MODEL</b> | <b>7</b>            | <b>8</b> | <b>9</b> | <b>10</b>       | PLT | FL   |
|                        | Pick Laminate Color |          |          | Pick Edge Color |     | Fixed-height (FL) leg set is standard. See page 99 to order optional leg sets. |

## Standard Laminate Options

Want to specify a different laminate?

No problem. If you have 20 or more tops of the same color -60 or -38 there is no upcharge. Have 20 or less? We can quote for you with the Wilsonart code and – finish style. We can specify other laminates – call to inquire and get a quote.



### Suggested Standard Laminates:



ASIAN NIGHT  
7949-60  
ANG



AMBER CHERRY  
7919-60  
AME



PEWTER MESH  
4878-60  
PEW



GREY MESH  
4877-60  
GRE



GOLDEN OAK  
7888-60  
GOK



BLOND ECHO  
7939-60  
BEE



TAN ECHO  
7941-60  
TAC



NEW AGE OAK  
7938-60  
NEW

### Classic Standard Laminates:



WILD CHERRY  
7054-60  
CHE



GREY NEBULA  
4622-60  
GNB



FUSION MAPLE  
7909-60  
MAP

All 11 of the standard laminates are -60 finish, if you need to match a laminate from a previous year, please let us know on your order (example Pewter Mesh 4878-38, our standard is -60).

## Standard Edge Color Options



APPLE A



BLACK B



BLUEBERRY C



BURGUNDY D



CERULEAN S



CHAMPAGNE O



CHARCOAL R



CHOCOLATE Q



CLEMENTINE E



FOREST GREEN F



FUCHSIA G



MINT H



MOCHA T



NAVY I



ORANGE U



PERSIAN BLUE J



PLATINUM P



PURPLE K



RED L



YELLOW N