

MODEL #04137-04238

OVERVIEW

The Interchange Multi-Media table line allows students to work together through “distance learning,” receiving lectures or instruction via video from teachers located away from the classroom. Choose from 11 laminate colors and 20 edge colors frame available in Black or Platinum

- Sturdy and solid frame design.
- 1 ¼” thickness tops, with a high pressure laminated surface available in 11 color options.
- Edge moldings resist wear, choices available.
- Rugged powder coat surface on legs resists wear.

COLOR OPTIONS

FRAME

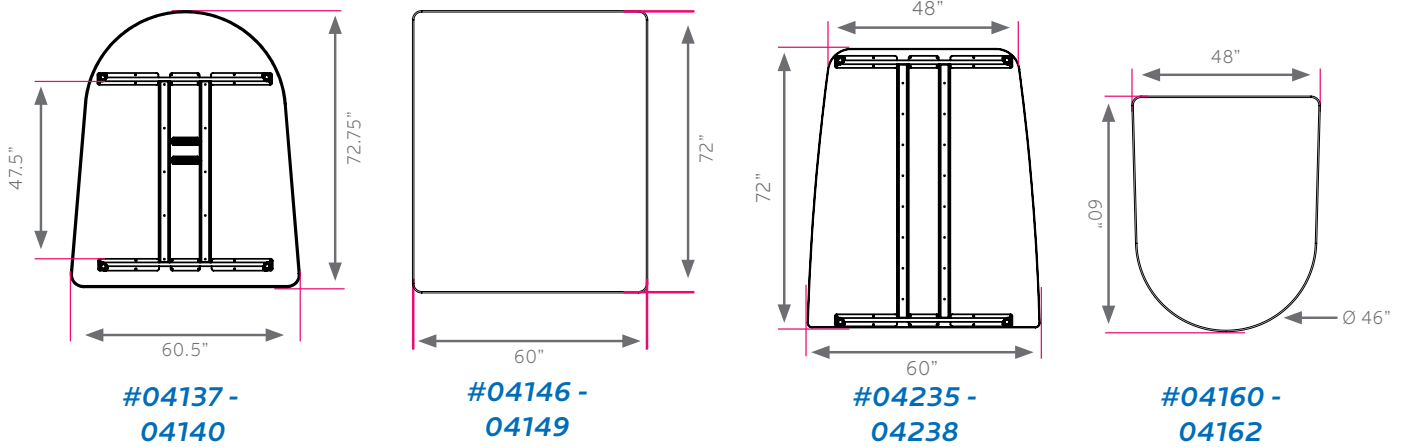
- BLACK
- PLATINUM

EDGE CHOICES

- | | | |
|---------------|------------------|------------------|
| ● APPLE A | ● CHOCOLATE Q | ● PERSIAN BLUE J |
| ● BLACK B | ● CLEMENTINE E | ● PURPLE K |
| ● BLUEBERRY C | ● FOREST GREEN F | ● RED L |
| ● BURGUNDY D | ● FUCHSIA G | ○ WHITE M |
| ● CERULEAN S | ● MINT H | ● YELLOW N |
| ● CHAMPAGNE O | ● MOCHA T | ● PLATINUM P |
| ● CHARCOAL R | ● NAVY I | |

LAMINATE CHOICES

- | | | |
|--------------------|-------------------|-------------------|
| ● AMBER CHERRY AME | ● GOLDEN OAK GOK | ● PEWTER MESH PEW |
| ● ASIAN NIGHT ANG | ● GREY MESH GRE | ● TAN ECHO TAC |
| ● BLOND ECHO BEE | ● GREY NEBULA GNB | ● WILD CHERRY CHE |
| ● FUSION MAPLE MAP | ● NEW AGE OAK NEW | |



LARGE MONITOR MOUNT

The large monitor table mount allows 32" – 50" monitors or TVs to be easily mounted to a table for use in conferences, displays or presentations. Great for a multimedia table such as our Round End Group Table, 04137, 04138, 04139, 04140. This mount bolts to the table top for a sturdy long lasting presentation aide. Mount is adjustable in height to allow a variety of monitor sizes. Accommodates VESA mounting, 100mm x 100mm to 400mm x 200mm, and 125 lb. max weight. Also comes with a keyed lock for security. Available in Platinum only.

MODEL	DESCRIPTION	D"	W"	H"	F.C.	CUBE	WT.	UPS
17354	TV Mount	32-50" Monitors/TVs	7	18	19-23	70	38	

**Add "M" to table model number when ordering mount 17354. Mount will be centered.*

ADD POWER



Surface Power Module
Shown, Model 017093 SLV
4 power



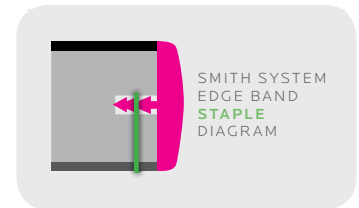
Retractable Power Module
Shown, Model 017085 SLV
2 power, 4 USB

HEALTHY CONSTRUCTION.

Smith System desks and tables are made for healthy learning environments, and are UL Greenguard Gold Certified.

DURABILITY.

- Structural Framing – aluminum reinforcing beams attach to each leg, adding rigidity and preventing wobbly legs. Don't settle for Easy On Brackets on tables and desks in collaborative learning classrooms.
- The T-Mold edge band, used on Smith System Desks and Tables, is stapled every six inches to provide superior fastening power.

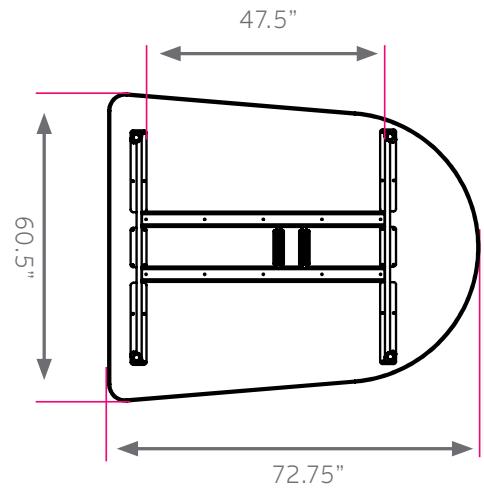


FOR MORE INFORMATION CALL 1-800-328-1061 OR VISIT WWW.SMITHSYSTEM.COM



LARGE ROUND END MULTIMEDIA TABLE

#04137 -
04140

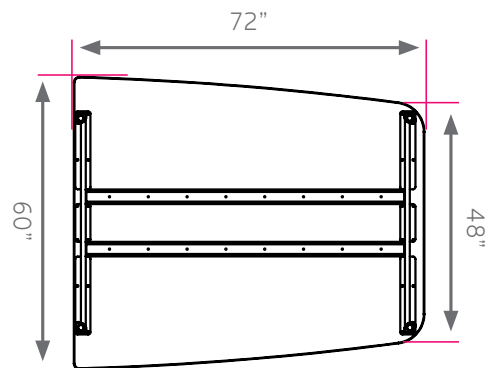


MODEL	DESCRIPTION		D"	W"	H"	F.C.	CUBE	WT.	UPS
04137	Round End Multi-Media Table	No Power	72.75	60.5	22-34			170	
04138	Round End Multi-Media Table	4 Power & 8 USB	72.75	60.5	22-34			170	
04139	Round End Multi-Media Table	8 Power	72.75	60.5	22-34			170	
04140	Round End Multi-Media Table	6 Power & 4 USB	72.75	60.5	22-34			170	
Optional Accessory									
17354	TV Mount	32-50" Monitors/TVs	13	32	25	70		38	

**Add "M" to table model number when ordering mount 17354. Mount will be centered.*

HALF-BOAT MULTIMEDIA TABLE

#04235 -
04238



MODEL	DESCRIPTION		D"	W"	H"	F.C.	CUBE	WT.	UPS
Half Boat Multi-Media Table									
04235	Half Boat Multi-Media Table	No Power	72.8	48-60	22-34	70	9	193	
04236	Half Boat Multi-Media Table	4 Power & 8 USB	72.8	48-60	22-34	70	9	193	
04237	Half Boat Multi-Media Table	8 Power	72.8	48-60	22-34	70	9	193	
04238	Half Boat Multi-Media Table	6 Power & 4 USB	72.8	48-60	22-34	70	9	193	
Optional Accessory									
17354	TV Mount	32-50" Monitors/TVs	13	32	25	70		38	

**Add "M" to table model number when ordering mount 17354. Mount will be centered.*

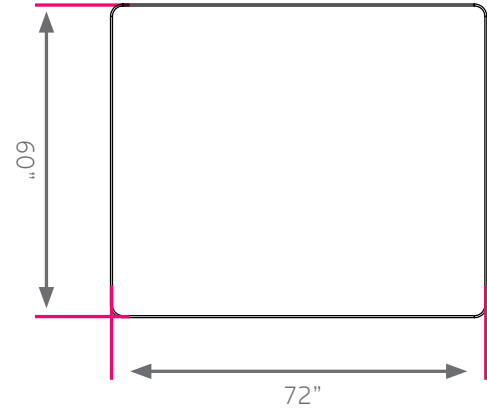


FOR MORE INFORMATION CALL 1-800-328-1061
OR VISIT WWW.SMITHSYSTEM.COM



LARGE RECTANGLE MULTIMEDIA TABLE

#04146 -
04149

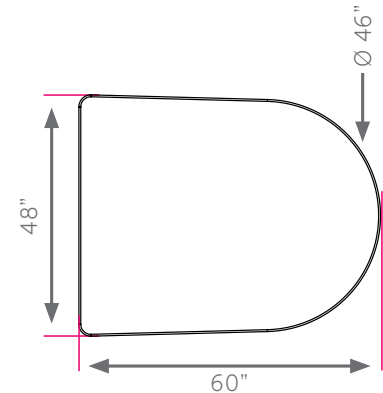


MODEL	DESCRIPTION	D"	W"	H"	F.C.	CUBE	WT.	UPS
Rectangle Multi-Media Table								
04146	Large Multi-Media Table	72	60	22-34	70	10	217	
04147	Large Multi-Media Table	72	60	22-34	70	10	217	4 Power & 8 USB
04148	Large Multi-Media Table	72	60	22-34	70	10	217	8 Power
04149	Large Multi-Media Table	72	60	22-34	70	10	217	6 Power & 4 USB
Optional Accessory								
17354	TV Mount	13	32	25	70		38	32-50" Monitors/TVs

*Add "M" to table model number when ordering mount 17354. Mount will be centered.

MEDIUM MULTIMEDIA TABLE

#04160 -
04162



MODEL	DESCRIPTION	D"	W"	H"	F.C.	CUBE	WT.	UPS
Medium Multi-Media Table								
04160	Medium Group Table	60	44-48	22-34	70	5.8	153	
04161	Medium Group Table	60	44-48	22-34	70	5.8	153	2 Power & 4 USB
04162	Medium Group Table	60	44-48	22-34	70	5.8	153	2 Power
Optional Accessory								
17354	TV Mount	13	32	25	70		38	32-50" Monitors/TVs

*Add "M" to table model number when ordering mount 17354. Mount will be centered.



FOR MORE INFORMATION CALL 1-800-328-1061
OR VISIT WWW.SMITHSYSTEM.COM

