

large rectangle multi-media table

model #: 04146

interchange rectangle multi-media table

DIMENSIONS + FREIGHT:

MODEL #	D"	W"	H"	F.C.	CUBE	WEIGHT
04146	72"	60"	22" - 34"	70	10.0	217 lbs.



OVERVIEW:

Oversized meeting table for multi-person viewing and participation in distance learning or other presentation application. Large 72" long table accommodates two people comfortably along sides and two people at the head. Ideal for conference rooms hosting multimedia applications.

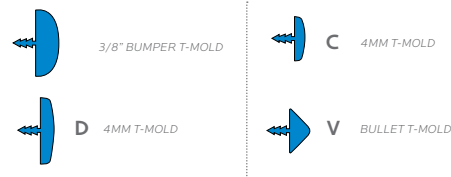
The **WORK SURFACE** consists of a 45 lb density particle board core with a 0.030" high pressure laminated surface and a 0.020" backer sheet. The edge of the work surface features T-mold that is stapled to the underside of the work surface every 6"-8".

FRAME consists of two fully welded segments. Ellipse shaped tubes measure 1.5" x 2.5". 16 gauge leg inserts and leg stems are welded to 14 gauge plates. The pre-drilled top is standard at 1 1/4" thick and available in 3/4" thick option. Laminate and T-mold color and style options are listed below. Top is predrilled to attach to legs using included fasteners. Legs include a 1" adjustable leveling glide with a locking stop to provide stability on uneven floors.

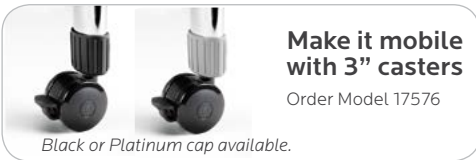
INTERCHANGE TOP & EDGE PROFILE

1 1/4" TOP

3/4" TOP



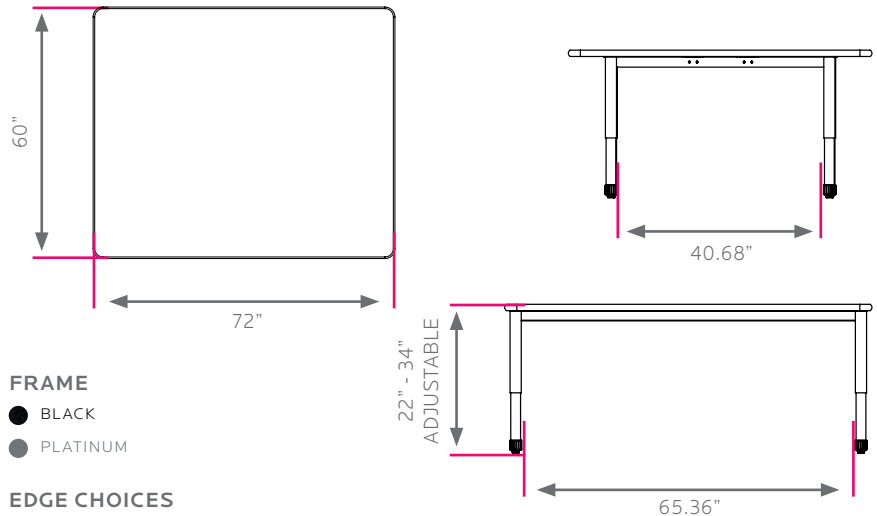
optional interchange casterpacks:



ADD POWER



#017085 / #017092 #017093 / #017086



FRAME

- BLACK
- PLATINUM

EDGE CHOICES

- APPLE
- CHAMPAGNE
- FUCHSIA
- BLACK
- CHARCOAL
- MINT
- BLUEBERRY
- CHOCOLATE
- MOCHA
- BURGUNDY
- CLEMENTINE
- NAVY
- CERULEAN
- FOREST GREEN
- PERSIAN BLUE
- PURPLE
- ORANGE
- RED
- WHITE
- PLATINUM

LAMINATE CHOICES

- AMBER CHERRY
- GOLDEN OAK
- PEWTER MESH
- ASIAN NIGHT
- GREY MESH
- TAN ECHO
- BLOND ECHO
- GREY NEBULA
- WILD CHERRY
- FUSION MAPLE
- NEW AGE OAK