

interchange half boat conference table

model #: 04235

interchange half boat conference

DIMENSIONS + FREIGHT:

MODEL #	D"	W"	H"	F.C.	CUBE	WEIGHT
04235	48-60"	72"	22" - 34"	70	9	193 lbs.

OVERVIEW:

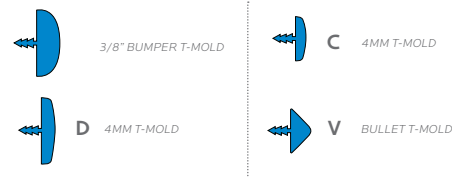
Table lines flair to provide clear sightlines for multi-person viewing and participation in distance learning or other presentation applications. Large 72" long table accommodates 3 people comfortably along each side and two people at the head. Ideal for conference rooms hosting multimedia applications.

The **WORK SURFACE** consists of a 45 lb density particle board core with a 0.030" high pressure laminated surface and a 0.020" backer sheet. The edge of the work surface features T-mold that is stapled to the underside of the work surface every 6"-8". **FRAME** consists of two fully welded segments. Ellipse shaped tubes measure 1.5" x 2.5". 16 gauge leg inserts and leg stems are welded to 14 gauge plates. The pre-drilled top is standard at 1 1/4" thick and available in 3/4" thick option. Laminate and T-mold color and style options are listed below. Top is predrilled to attach to legs using included fasteners. Legs include a 1" adjustable leveling glide with a locking stop to provide stability on uneven floors.

INTERCHANGE TOP & EDGE PROFILE

1 1/4" TOP

3/4" TOP



optional interchange casterpacks:

Make it mobile with 3" casters
Order Model 17576
Black or Platinum cap available.

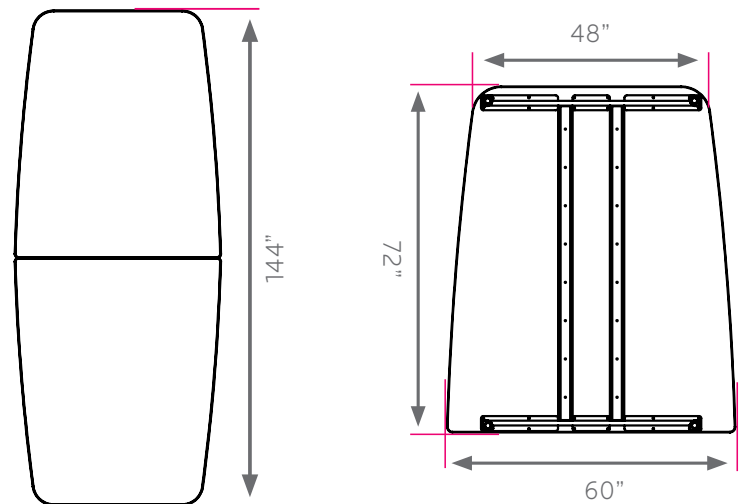
ADD POWER



#017085 / #017092 #017093 / #017086



add TV mount #17354



Interchange™ Frame Color Options



BLACK
BLA



PLATINUM
PLT

Standard Laminate Options

Want to specify a different laminate?

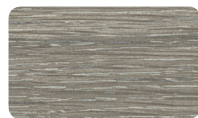
No problem. If you have 20 or more tops of the same color -60 or -38 there is no upcharge. Have 20 or less? We can quote for you with the Wilsonart code and – finish style. We can specify other laminates – call to inquire and get a quote.



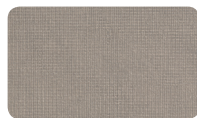
Suggested Standard Laminates:



ASIAN NIGHT
7949-60
ANG



BOARDWALK OAK
7983-60
BWK



PEWTER MESH
4878-60
PEW



CLASSIC LINEN
4943-60
CLN



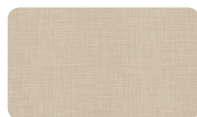
HIGH RISE
4996-60
HRE



BUKA BARK
7982-60
BBK



PALISADES OAK
7987-60
PSO



FLAX LINEN
4990-60
FLL



MISSION MAPLE
7990-60
MIM

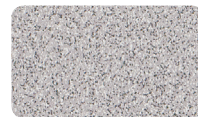


NEW AGE OAK
7938-60
NEW

Classic Standard Laminates:



WILD CHERRY
7054-60
CHE



GREY NEBULA
4622-60
GNB



FUSION MAPLE
7909-60
MAP

All 13 of the standard laminates are -60 finish, if you need to match a laminate from a previous year, please let us know on your order (example Pewter Mesh 4878-38, our standard is -60).

When the WilsonArt Laminate code includes a "Y", "K", "-12" "-78", "Aeon" etc, these are special laminates with an upcharge, even when it contains -38 or -60.

Standard Edge Color Options



APPLE A



BLACK B



BLUEBERRY C



BURGUNDY D



CERULEAN S



CHAMPAGNE O



CHARCOAL R



CHOCOLATE Q



CLEMENTINE E



FOREST GREEN F



FUCHSIA G



MINT H



MOCHA T



NAVY I



ORANGE U



PERSIAN BLUE J



PLATINUM P



PURPLE K



RED L



YELLOW N