

interchange half boat conference table

model #: 04235

interchange half boat conference

DIMENSIONS + FREIGHT:

MODEL #	D"	W"	H"	F.C.	CUBE	WEIGHT
04235	48-60"	72"	22" - 34"	70	9	193 lbs.

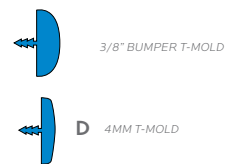
OVERVIEW:

Table lines flair to provide clear sightlines for multi-person viewing and participation in distance learning or other presentation applications. Large 72" long table accommodates 3 people comfortably along each side and two people at the head. Ideal for conference rooms hosting multimedia applications.

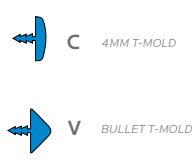
The **WORK SURFACE** consists of a 45 lb density particle board core with a 0.030" high pressure laminated surface and a 0.020" backer sheet. The edge of the work surface features T-mold that is stapled to the underside of the work surface every 6"-8". **FRAME** consists of two fully welded segments. Ellipse shaped tubes measure 1.5" x 2.5". 16 gauge leg inserts and leg stems are welded to 14 gauge plates. The pre-drilled top is standard at 1 1/4" thick and available in 3/4" thick option. Laminate and T-mold color and style options are listed below. Top is predrilled to attach to legs using included fasteners. Legs include a 1" adjustable leveling glide with a locking stop to provide stability on uneven floors.

INTERCHANGE TOP & EDGE PROFILE

1 1/4" TOP



3/4" TOP



optional interchange casterpacks:

Make it mobile with 3" casters
Order Model 17576
Black or Platinum cap available.

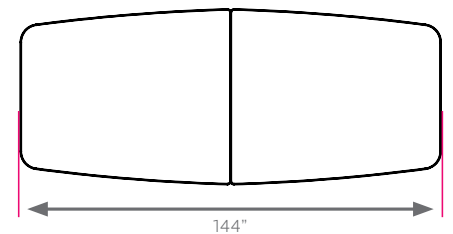
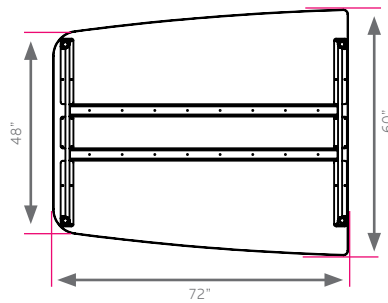
ADD POWER



#017085 / #017092 #017093 / #017086



add TV mount #17354



FRAME

- BLACK
- PLATINUM

EDGE CHOICES

- APPLE
- CHAMPAGNE
- FUCHSIA
- PURPLE
- BLACK
- CHARCOAL
- MINT
- RED
- BLUEBERRY
- CHOCOLATE
- MOCHA
- WHITE
- BURGUNDY
- CLEMENTINE
- NAVY
- YELLOW
- CERULEAN
- FOREST GREEN
- PERSIAN BLUE
- PLATINUM
- ORANGE

LAMINATE CHOICES

- AMBER CHERRY
- GOLDEN OAK
- PEWTER MESH
- ASIAN NIGHT
- GREY MESH
- TAN ECHO
- BLOND ECHO
- GREY NEBULA
- WILD CHERRY
- FUSION MAPLE
- NEW AGE OAK