

plato stack chair

model #: 00950, 00951, 00952

OVERVIEW:

The Plato Chair is a posture demanding chair based on the Euro Spec. The Plato offers a wide seat pan and lumbar support designed to comply with current anthropometric data for improved ergonomics.

MATERIALS:

The **SHELL** is 100% virgin polypropylene material with a shallow seat pan allowing side-to-side movement. The back has integrated lumbar support for optimum comfort and minimal back pressure.

The **FRAME** is constructed of strong 1" x 18-gauge tubing that is chrome plated for a long lasting, durable finish and is capped at the ends with our durable outside hold nylon base glides (with steel and felt as options). The shell is attached to 14-gauge brackets via metal to metal riveted steel connection. Legs are swedged.

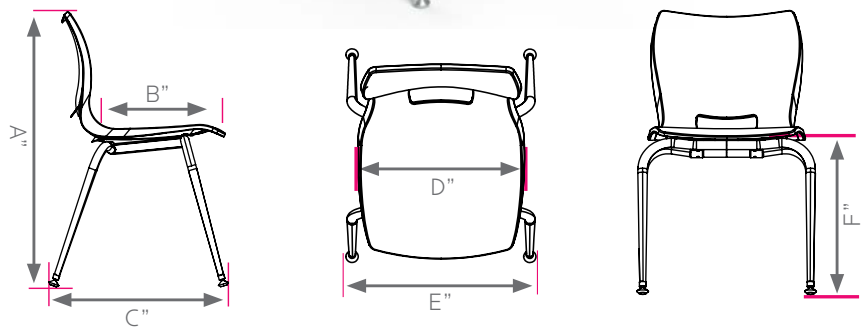
OPTIONS:

Nylon glide is standard.

Felt glide option : Add 'F' to follow Model No.

Steel glide option : Add 'S' to follow Model No.

(set of 4 installed - upcharge for felt or steel glide).



DIMENSIONS + FREIGHT:

** product is UPSable.*

MODEL #	SHELL (H")	A	B	C	D	E	F	F.C.	CUBE	WEIGHT
00950	A(18")	30"	15.5"	21"	16"	19"	18"	125	4.0	11 lbs.
00951	B+ (16")	28"	14.5"	18.25"	14.5"	17"	16"	125	4.0	9 lbs.
00952	B (14")	24.6"	12.5"	16"	13"	15"	14"	125	4.0	8 lbs.

FRAME

- CHROME

SHELL

- APPLE
- CHARCOAL
- MINT
- RED
- BLACK
- CHOCOLATE
- MOCHA
- WHITE
- BLUEBERRY
- CLEMENTINE
- NAVY
- YELLOW
- BURGUNDY
- FOREST GREEN
- PERSIAN BLUE
- CERULEAN
- FUCHSIA
- PURPLE