

# planner extron table

model #: 11290

## planner extron table

### DIMENSIONS + FREIGHT:

MODEL #	D"	W"	H"	F.C.	CUBE	WEIGHT
11290	60"	72"	28" - 38"	70		208 lbs.

### OVERVIEW:

The Planner Extron Table is a complete, pre-configured collaboration system for six students. Students simply connect their laptop, press one of six "show me buttons" and their content is instantly displayed on the presentation monitor. The system automatically turns itself off. Large 60" x 72" work surface allows each student ample workspace. Set at stock height (37") or use with 18" chairs at sit down height. Other table shape option available upon request.

The 1 1/4" thick work surface consists of 45 lb. density particle board core with a .030" high-pressure laminated surface and a .020" melamine backer sheet. The edge of the work surface features t-mold of your choice that is mechanically fastened every 6 to 8 inches to assure a long lasting fit. The top is pre-drilled for ease of installation.

The frame consists of two fully welded leg segments and a center support channel. The legs are attached to the pre-drilled holes in the top with (16) #10 wood screws through a 12-gauge steel mounting plate. The mounting plate is welded to (2) 1 1/4" square 12-gauge steel tube legs which is welded to a 1" x 2" 14-gauge steel tube cross bar. The leg inserts are 1" square 14-gauge steel tube, with Model 17554 4" dual-wheel casters included, and adjust in height from 28" to 38" in 1" increments. The adjustment for each leg is secured with (2) 3 3/4" -16 x .675" Allen screws. The 2 center support channels are 2" x 3" 14-gauge steel, with 11-gauge steel end plates for maximum stability. The 2 center support channels are connected to the legs by (8) connector bolts.

The Extron Table also includes the following: (6) HDMI "Show Me" Cables, (1) HDMI Six-Input Switcher, (1) Extron System Controller, (2) Surface Mount Power Units, 17354 Monitor Mount, Cable Management Enclosure and 017095 5-Outlet Power Strip.

Includes casters, Model 17554, 4".

### PLANNER EXTRON TOP & EDGE PROFILE

1 1/4" TOP



\*see catalog for all optional parts & accessories.



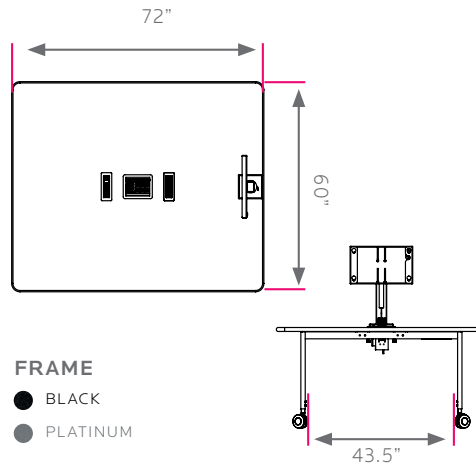
ONE: grab a cable



TWO: plug-in



THREE: push to share



### FRAME

- BLACK
- PLATINUM

### EDGE CHOICES

- APPLE
- CHAMPAGNE
- FUCHSIA
- PURPLE
- BLACK
- CHARCOAL
- MINT
- RED
- BLUEBERRY
- CHOCOLATE
- MOCHA
- WHITE
- BURGUNDY
- CLEMENTINE
- NAVY
- YELLOW
- CERULEAN
- FOREST GREEN
- PERSIAN BLUE
- PLATINUM
- ORANGE

### LAMINATE CHOICES

- AMBER CHERRY
- GOLDEN OAK
- PEWTER MESH
- ASIAN NIGHT
- GREY MESH
- TAN ECHO
- BLOND ECHO
- GREY NEBULA
- FUSION MAPLE
- NEW AGE OAK
- WILD CHERRY

28" - 38" ADJUSTABLE\*