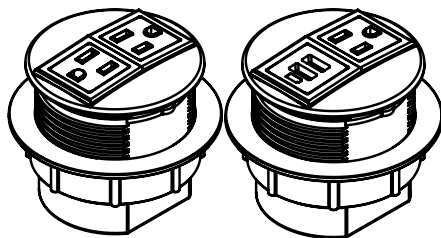


# flat round surface power module

model #: 017097 & 017098

flat round surface power modules,  
two power or one power + two USB



017097

017098

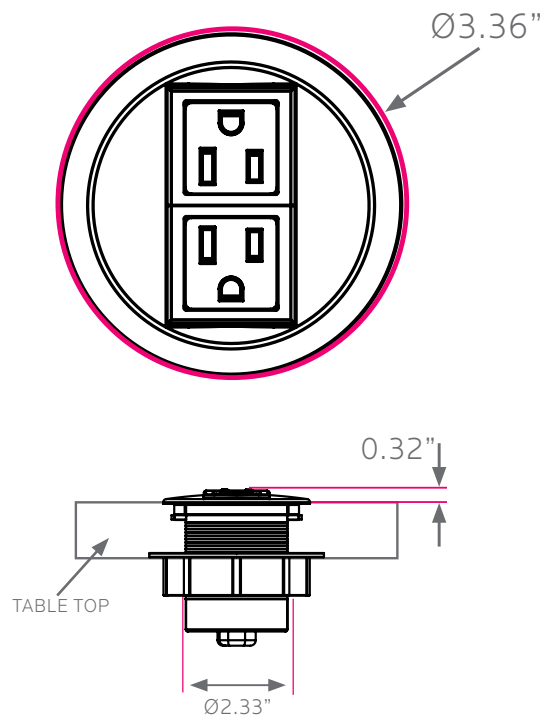
## OVERVIEW:

These power modules are designed to mount into the work surface of a desk or table and feature USB and power supply for powering up devices of all kinds. #017097 features 2 power outlets, while #017098 features 1 power outlet and 2 USB outlets.

The power module features water-proof simplex outlets and can be mounted parallel to any work surface. The unit is UL listed with a standard 10 ft. 15 Amp power cord. The USB-A charging ports share a total of 1000 mA per pair, which allows charging of cell phones, tablets, e-readers, audio players and other devices that can be charged by USB. The power module is installed in a 3" diameter cutout in the work surface. The unit is constructed of durable plastic, fits in both 3/4" and 1 1/4" thick tops.

## DIMENSIONS:

MODEL #	D"	W"	H"	F.C.	CUBE	WEIGHT
017097 2 power	3.4"	2.3"	3.25"	70	0.9	4 lbs.
017098 1 power / 2 USB	3.4"	2.3"	3.25"	70	0.9	4 lbs.



frame  
COLORS



silver