

# cascade tote tray + housing

model #: 30925 & 30926

cascade tote trays w/ housing rails



*Silhouette Desk, Model 01600C.  
Shown with optional Cascade EW  
tote, Model 30926.*

## OVERVIEW:

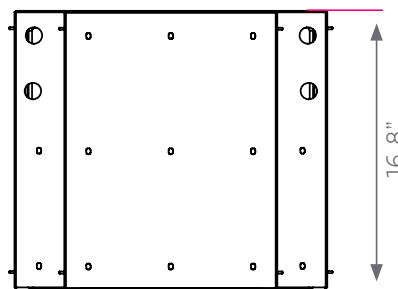
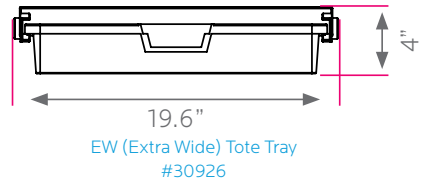
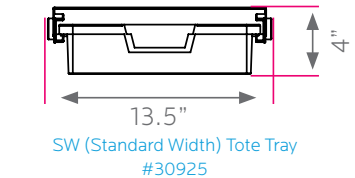
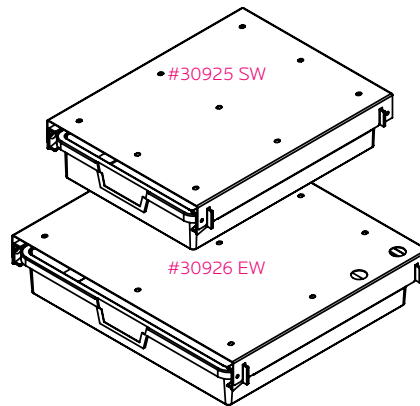
Smith System™ Cascade series totes with housings provide storage for a wide variety of items in today's classroom. The tote trays can be transferred to work areas or stored in a central location using one of our Cascade storage units.

Available in standard width, 13.5" W (#30925) or extra wide, 19.6" W (#30926).

The tote housing is made of 18-gauge steel and is powder coated for a long lasting durable finish. The clear totes are made of durable, recyclable ABS plastic, which allow the contents to be easily identified. The side rails are made of super tough ABS plastic and designed to glide and tilt the Tote with ease. The side rails are mechanically riveted to the steel housing using steel rivets.

## DIMENSIONS:

MODEL #	D"	W"	H"	F.C.	WEIGHT
30925 SW	16.8"	13.5"	4"	70	8 lbs.
30926 EW	16.8"	19.6"	4"	70	10 lbs.



## cascade tote tray COMPATABILITY

DESKS	SW	EW
PLANNER™ STUDENT	✓	✓
PLANNER™ TWO-STUDENT	✓	✓
PLANNER™ THREE-STUDENT	✓	✓
HUDDLE - 8 LS	✓	✗
HUDDLE - 6	✗	✗
HUDDLE - 8	✗	✗

tray  
HOUSING



PLATINUM  
PLT

tote  
TRAY ABS CLEAR PLASTIC

# cascade tote tray + housing

model #: 30925 & 30926

## DIMENSIONS:

MODEL #	D"	W"	H"	F.C.	WEIGHT
66000 SW	16 3/4"	12 1/4"	3"	70	8 lbs.
66010 EW	16 5/8"	18 3/8"	3"	70	10 lbs.

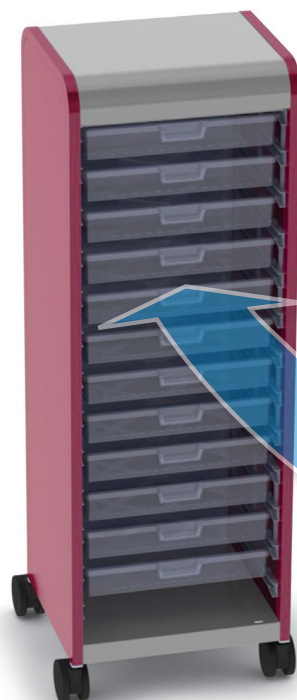


The side rails are made of super tough ABS plastic and designed to glide and tilt the tote with ease.



#30925 SW TOTE TRAY + HOUSING

**Model 01267C.** 20"d x 27"w. Shown in Pewter Mesh top with Forest Green edge and Platinum frame + 30925 SW Tray & housing.



TRANSLUCENT TOTE TRAYS  
INTERFACE WITH CASCADE  
STORAGE UNITS.



#30926 EW TOTE TRAY + HOUSING

**Model 01272V.** 20"d x 27"w. Shown in New Age Oak top with Persian Blue edge and Platinum frame + 30926 EW Tray & housing.