

# café series Plug-In, recharge and collaborate.

model #: 01501-01507

**OVERVIEW:**

Our Café series tables are a popular choice for creating casual meeting areas in commons areas. Students can gather and collaborate in a more laid back atmosphere.

**TOP MATERIALS:**

The 1 1/4" thick **WORK SURFACE** consists of a 45 lb density particle board core with a 0.030" high pressure laminated surface and a 0.020" melamine backer sheet. The edge of the tabletop features your choice of a bumper t-mold or 4mm t-mold, which is then fastened to the underside of the work surface every 6 to 8 inches to assure a long lasting fit.

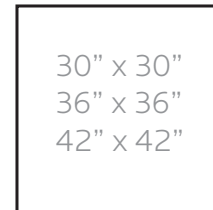
**COLUMN & BASE:**

The Café series column is constructed of 18-gauge steel with a durable powder coat paint finish. The column is available in five heights for adaptable to many different environment types; 16" coffee table height, 29" sitting height, 36" k-8 standing height, 40" working height and 42" standing height.

The base comes in two styles; circular or criss-cross. Both base styles come in two sizes; 24" diameter or 30" diameter; see compatibility chart for recommended pairings.

**OPTIONAL POWER MODULES:**

The optional power modules create the perfect workstation for students to power their devices. The power modules features water-proof simplex outlets and can be mounted parallel to any work surface. The units are UL listed with a standard 10 ft. 15 Amp power cord. The USB-A charging ports share a total of 1000 mA per pair, which allows charging of cell phones, tablets, e-readers, audio players and other devices that can be charged by USB. The power module is installed in a 3" diameter cutout in the work surface.



ROUND OR SQUARE

## 1) Café Top - Choose Table Top

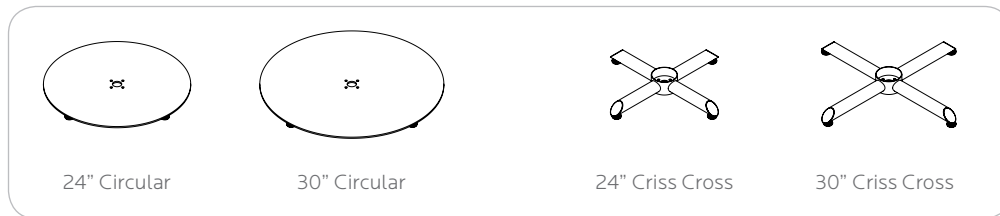
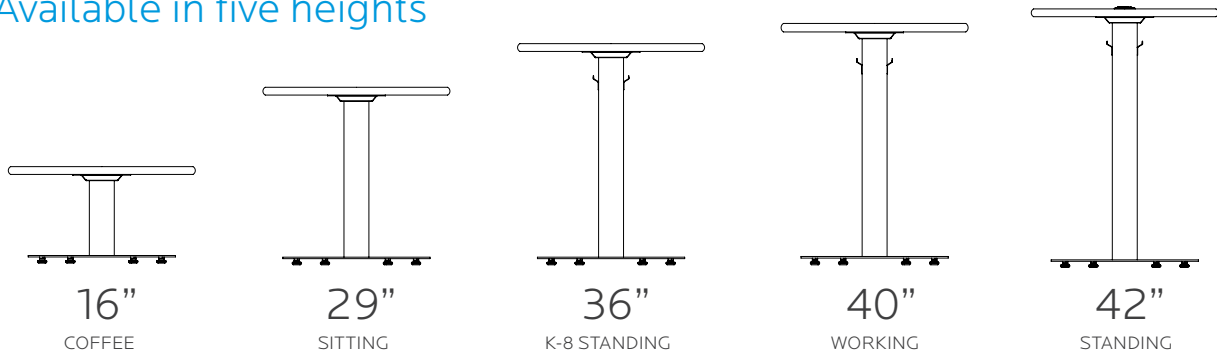
MODEL	DESCRIPTION	D"	W"	H"	F.C.	CUBE	WT.	UPS
<b>Square Café Table Tops</b>								
01501	Square top only	30	30		70	1.5	29	*
01503	Square top only	36	36		70	2.25	42	*
01505	Square top only	42	42		70	3.0	57	*
<b>Round Café Table Tops</b>								
01502	Round top only	30" dia.			70	1.5	25	*
01504	Round top only	36" dia.			70	2.25	33	*
01506	Round top only	42" dia.			70	3.0	45	*
01507	Round top only	48" dia.			70	4.0	58	

VIEW CHART TO RIGHT -->

**CAFE BASE COMPATIBILITY CHART (RECOMMENDED PAIRING)**

	24" Circular	30" Circular	24" Crisscross	30" Crisscross
Round 30" dia.	X		X	
Round 36" dia.	X		X	
Round 42" dia.		X		X
Round 48" dia.		X		X
Square 30x30	X		X	
Square 36x36	X	X		X
Square 42x42		X		X

## Available in five heights



## 2) Café Base - Choose Base

MODEL	DESCRIPTION	D"	W"	H"	F.C.	CUBE	WT.	UPS		
<b>Circular Bases</b>										
01450	24" Circular Base			coffee table height	24" dia.	16	70	5.5	38	*
01451	24" Circular Base			sitting height	24" dia.	29	70	6.75	39	*
01452	24" Circular Base			k-8 standing height	24" dia.	36	70	8.5	42	*
01466	24" Circular Base			working height	24" dia.	40	70	9.5	43	*
01453	24" Circular Base			standing height	24" dia.	42	70	10.0	45	*
01454	30" Circular Base			coffee table height	30" dia.	16	70	8.5	55	*
01455	30" Circular Base			sitting height	30" dia.	29	70	8.5	56	*
01456	30" Circular Base			k-8 standing height	30" dia.	36	70	10.75	59	*
01467	30" Circular Base			working height	30" dia.	40	70	12	60	*
01457	30" Circular Base			standing height	30" dia.	42	70	12.25	62	*
<b>Crisscross Bases</b>										
01458	24" Crisscross Base			coffee table height	24" dia.	16	70	5.5	16	*
01459	24" Crisscross Base			sitting height	24" dia.	29	70	6.75	17	*
01460	24" Crisscross Base			k-8 standing height	24" dia.	36	70	8.5	20	*
01468	24" Crisscross Bas			working height	24" dia.	40	70	9.5	22	*
01461	24" Crisscross Base			standing height	24" dia.	42	70	10.0	23	*
01462	30" Crisscross Base			coffee table height	30" dia.	16	70	8.5	20	*
01463	30" Crisscross Base			sitting height	30" dia.	29	70	8.5	21	*
01464	30" Crisscross Base			k-8 standing height	30" dia.	36	70	10.75	24	*
01469	30" Crisscross Base			working height	30" dia.	40	70	12	26	*
01465	30" Crisscross Base			standing height	30" dia.	42	70	12.25	27	*

## 3) Café Power - Choose Surface Power



MODEL	DESCRIPTION	F.C.	CUBE	WT.	UPS	
017097	Flat Surface Power Module	2 Power	70	.25	5	*
017098	Flat Surface Power Module	1 Power / 1 Twin USB	70	.25	5	*
017079	Soft Touch Dome	2 Power / 1 Twin USB	70	.25	5	*
017078	Soft Touch Dome	3 Power	70	.25	5	*

## Café Table Column/Base Color Options



BLACK  
BLA



PLATINUM  
PLT

## Standard Laminate Options

Want to specify a different laminate?

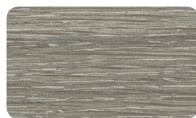
No problem. If you have 20 or more tops of the same color -60 or -38 there is no upcharge. Have 20 or less? We can quote for you with the Wilsonart code and – finish style. We can specify other laminates – call to inquire and get a quote.



Suggested Standard Laminates:



ASIAN NIGHT  
7949-60  
ANG



BOARDWALK OAK  
7983-60  
BWK



PEWTER MESH  
4878-60  
PEW



CLASSIC LINEN  
4943-60  
CLN



HIGH RISE  
4996-60  
HRE



BUKA BARK  
7982-60  
BBK



PALISADES OAK  
7987-60  
PSO



FLAX LINEN  
4990-60  
FLL



MISSION MAPLE  
7990-60  
MIM



NEW AGE OAK  
7938-60  
NEW

Classic Standard Laminates:



WILD CHERRY  
7054-60  
CHE



GREY NEBULA  
4622-60  
GNB



FUSION MAPLE  
7909-60  
MAP

All 13 of the standard laminates are -60 finish, if you need to match a laminate from a previous year, please let us know on your order (example Pewter Mesh 4878-38, our standard is -60).

When the WilsonArt Laminate code includes a "Y", "K", "-12" "-78", "Aeon" etc, these are special laminates with an upcharge, even when it contains -38 or -60.

## Standard Edge Color Options



APPLE A



BLACK B



BLUEBERRY C



BURGUNDY D



CERULEAN S



CHAMPAGNE O



CHARCOAL R



CHOCOLATE Q



CLEMENTINE E



FOREST GREEN F



FUCHSIA G



MINT H



MOCHA T



NAVY I



ORANGE U



PERSIAN BLUE J



PLATINUM P



PURPLE K



RED L



YELLOW N