

soft touch dome power module

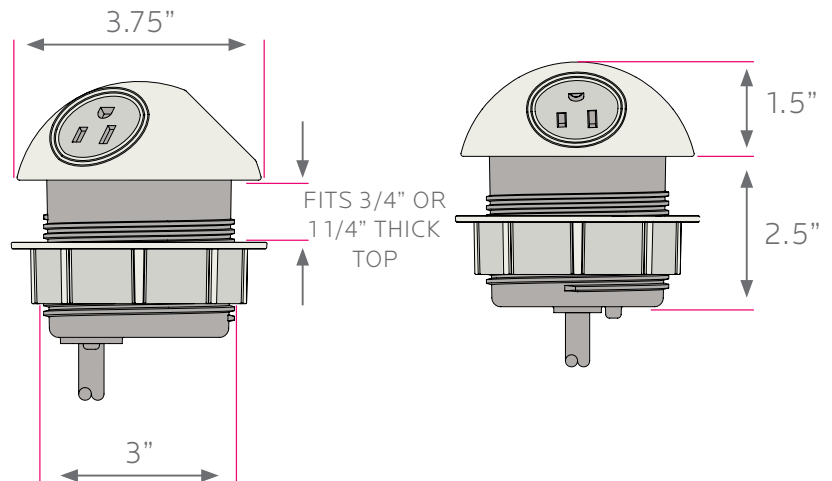
model #: 017078 & 017079

soft touch dome power module.



DIMENSIONS:

MODEL #	D"	W"	H"	F.C.	CUBE	WEIGHT
017078 3 power hemi	3.8"	3.56"	3.86"	70	0.9	4 lbs.
017079 2 power + 2 usb	3.8"	3.56"	3.86"	70	0.9	4 lbs.

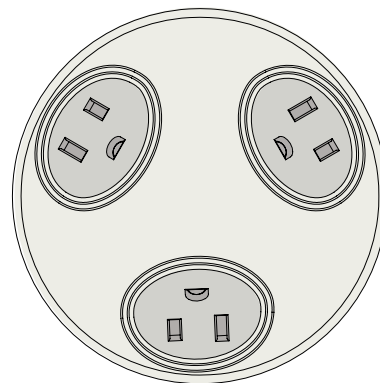


OVERVIEW:

The 017078 soft touch dome power module is mounted in the work surface and features three simplex power outlets, while the 017079 soft touch dome power module features 2 simplex power outlets and a twin USB outlet for powering up in any gathering space. Install in a variety of Smith System desks and tables to create a powered common or learning space.

The power module is UL listed and CSA certified with a 10 ft 15 amp power cords. The power module comes in a black "Soft Touch Plastic."

The power unit is installed in a 3" diameter cutout in the work surface (location of customer's choice, please specify) and secured using a threaded ring. The housing is constructed of durable plastic and fits in 1 1/4" thick or 3/4" thick tops.



frame
COLORS



black (soft touch plastic)