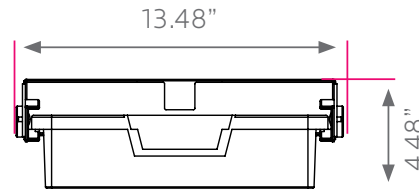
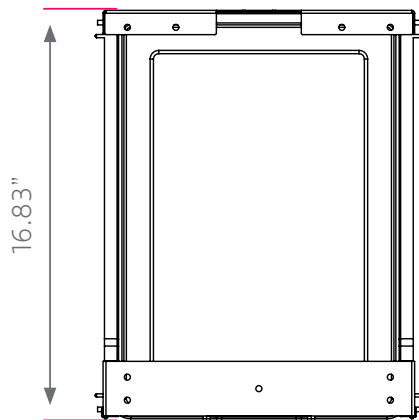
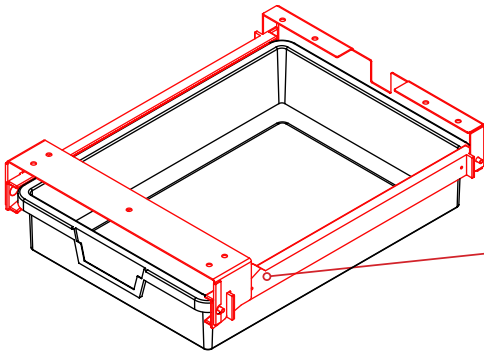


interchange tote tray + housing

model #: 66013 & 66014

DIMENSIONS:

MODEL #	D"	W"	H"	F.C.	WEIGHT
66013 tote tray w/ housing	16.8"	13.5"	4.48"	70	10 lbs.
66014 housing only - no tray	16.8"	13.5"	4.48"	70	8 lbs.



OVERVIEW:

Smith System™ Cascade series totes with housings provide storage for a wide variety of items in today's classroom. The tote trays can be transferred to work areas or stored in a central location using one of our Cascade storage units.

Only standard width (SW) Cascade tote trays fit our Interchange Desks.

The Interchange™ Series tote housing is made of 16-gauge steel and is powder coated platinum for a long lasting durable finish. The side rails are mechanically riveted to the steel housing using steel rivets. The side rails are made of super tough ABS plastic and designed to glide and tilt the Tote with ease..

The clear totes are made of durable, recyclable ABS plastic, which allow the contents to be easily identified.

interchange cascade tote tray COMPATABILITY

DESKS	SW TOTE
#04080 - 20" x 27"	✓
#04090 - 'curve'	✓
#03011 - 3-2-1 LS	✓
#03083 - mini diamond	✓
#03082 - diamond	✓
#03081 - 2 student diamond	✓
#03095 - wing desk	✓

tote TRAY



abs clear plastic

tray HOUSING



platinum

interchange tote tray + housing

model #: 66013 & 66014



Compact and contemporary.

Cascade™ totes now available on select Interchange desk models.



These desks are designed for collaborative learning and provide sleek looks, solid functionality and great flexibility. They can be arranged in countless ways for groups of all sizes.

New Cascade standard width (SW) tote is available on Interchange 20x27, Curve, 321 LS, Mini Diamond, Diamond, Two-Student Diamond and Wing desks for 2016.

Interchange Single-Student desk, Model 04080 shown with optional Interchange SW Tote Tray with Housing Model 66013.

