

cascade™ laptop shelf

model #: 17670

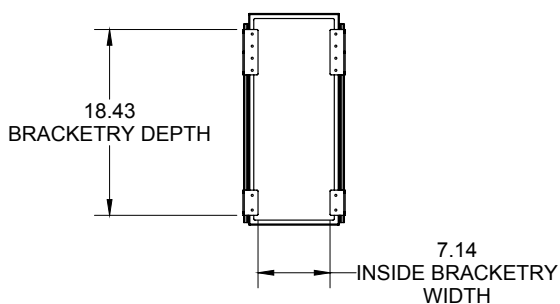
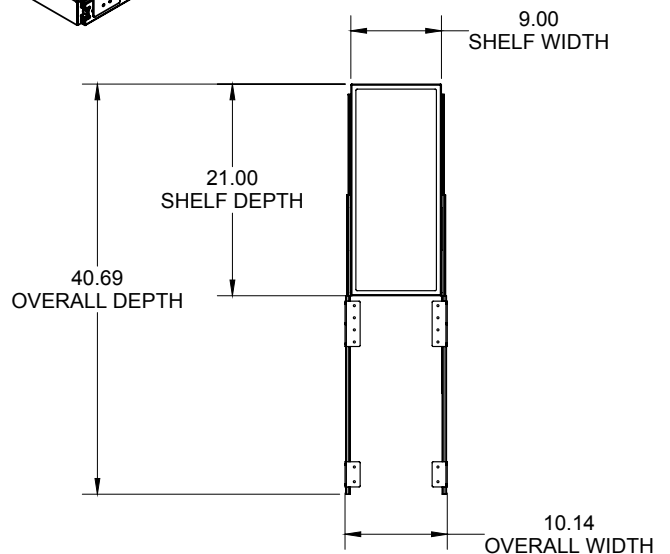
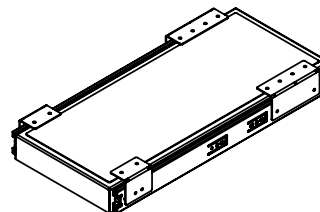
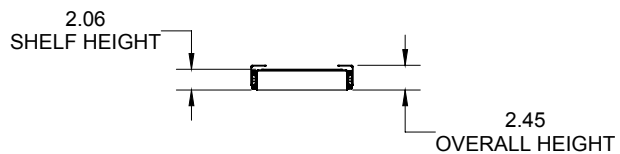
OVERVIEW:

The optional Cascade™ laptop shelf, Model 17670 is a great add-on to any Cascade™ unit equipped with a riser shelf. Easily access the shelf by pulling the handles and revealing 20 inches of travel outward.

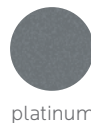
MATERIALS:

The shelf is made from 18-gauge steel and mounts to the underside of the Cascade™ riser shelf. Mounting is secured with four attached 14-gauge steel, chrome plated brackets. The Shelf has a closed-cell foam pad surface, providing a soft resting place for a laptop. Also this foam pad surface will not absorb water.

When not in use, the track allows the laptop shelf to tuck under the riser shelf. When the shelf is needed, the extendable brackets allow the shelf to have 20 inches of usable work surface.



FRAME



SHELL

- APPLE
- CHOCOLATE
- MOCHA
- YELLOW
- BLACK
- CLEMENTINE
- NAVY
- PERSIAN BLUE
- BLUEBERRY
- FOREST GREEN
- PURPLE
- BURGUNDY
- FUCHSIA
- RED
- CERULEAN
- MINT