

elemental engage 42" square

model #: EL42ES_____EG

DIMENSIONS + FREIGHT:

MODEL	DESCRIPTION	LEG TYPE	LEG #	D"	W"	H"	F.C.	CUBE	WT.
<i>Square models</i>									
EL42ES_____EG	Square Table	Fixed Height	4 Legs	42	42	30	70	2.3	92
EL42ES_____EC*	Square Table	Fixed Height for Caster	4 Legs	42	42	27**	70	2.3	96
EL42ES_____EA	Square Table	Adjustable Height	4 Legs	42	42	19-33	70	2.3	95

*REMINDER: Casters sold separately.

**3" Casters make table height 30."

BUILD PART NUMBER:

EL **4** **2** **E** **S** | **7** **8** **9** | **10** | **11** **12** **13** | **14** **15**

or **E8** Choose **MODEL**

Pick Laminate Color

Pick Edge Color

Pick Leg Color

Pick Leg Style

Fixed-height with Glide (EG) leg set is standard.

OVERVIEW:

Elemental tables have optional colored casters and matching colored leg sets. The unique colored legs comes in three configurations; fixed height (EG), adjustable height (EA) and fixed height for use with casters (EC).

MATERIALS:

The 1 1/4" thick **WORK SURFACE** consists of a 45 lb density particle board core with a 0.030" high pressure laminated surface and a 0.020" melamine backer sheet. The edge of the tabletop features your choice of a 3/8" bumper t-mold or 4mm t-mold, which is then fastened to the underside of the work surface every 6 to 8 inches to assure a long lasting fit.

LEG STYLE: **14** **15**

1. "EG" - Fixed-Height 30"
2. "EC" - Fixed-Height 27" ** (use w/ 3" casters = 30"H).
3. "EA" - Adjustable Height 19" - 33" (with glides)

The Elemental **LEG SETS** are constructed of 14-gauge steel with a durable powdercoat paint finish in one of five colors. The legs are reinforced by a gusseted, 'spade' shaped, mounting plate. Each one of the **4** legs attach to the pre-drilled holes in the top with **10** #10 x 5/8" screws per leg. Legs come standard with a nylon base glide.

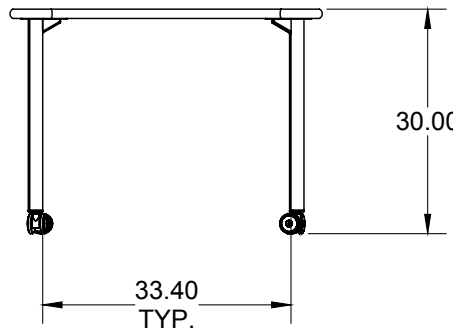
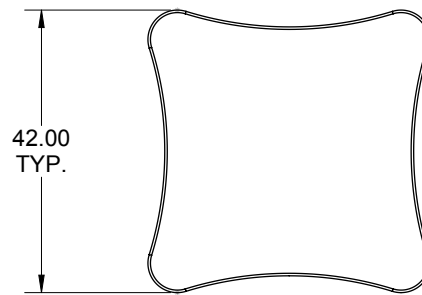
OPTIONAL dual-wheel 3" casters available as a separate line item, the 42" Engage Square Table uses 4-pack, Model 17576 (for Black), or use Model 17577 ___ for colors: platinum, orange, cerulean, charcoal or apple.

New for 2017 add colored casters:

Model 17577 ___ (4-pack)



*REMINDER: Casters sold separately! (17577 ___ [4-pack])



**drawings shown with 'EC' style legs, with optional 3" casters added.

**3" Casters make table height 30"

*REMINDER: Casters sold separately! (17577 ___)



LEG STYLE: **14** **15**



Standard Laminate Options



EL or E8 **4 2 E S** **7 8 9** **10** **11 12 13** **14 15**

Choose **MODEL**

Pick Laminate Color

Pick Edge Color

Pick Leg Color

Pick Leg Style

Fixed-height with Glide (EG) leg set is standard.

Want to specify a different laminate?

No problem. If you have 20 or more tops of the same color -60 or -38 there is no upcharge. Have 20 or less? We can quote for you with the Wilsonart code and - finish style. We can specify other laminates - call to inquire and get a quote.



Suggested Standard Laminates: **7 8 9**

 ASIAN NIGHT 7949-60 ANG	 BOARDWALK OAK 7983-60 BWK	 PEWTER MESH 4878-60 PEW	 CLASSIC LINEN 4943-60 CLN	 HIGH RISE 4996-60 HRE
 BUKA BARK 7982-60 BBK	 PALISADES OAK 7987-60 PSO	 FLAX LINEN 4990-60 FLL	 MISSION MAPLE 7990-60 MIM	 NEW AGE OAK 7938-60 NEW

Classic Standard Laminates:

 WILD CHERRY 7054-60 CHE	 GREY NEBULA 4622-60 GNB	 FUSION MAPLE 7909-60 MAP
--	--	---

All 13 of the standard laminates are -60 finish, if you need to match a laminate from a previous year, please let us know on your order (example Pewter Mesh 4878-38, our standard is -60).

When the WilsonArt Laminate code includes a "Y", "K", "-12" "-78", "Aeon" etc, these are special laminates with an upcharge, even when it contains -38 or -60.

Standard Edge Color Options **10**

 APPLE A	 BLACK B	 BLUEBERRY C	 BURGUNDY D	 CERULEAN S	 CHAMPAGNE O
 CHARCOAL R	 CHOCOLATE Q	 CLEMENTINE E	 FOREST GREEN F	 FUCHSIA G	 MINT H
 MOCHA T	 NAVY I	 ORANGE U	 PERSIAN BLUE J	 PLATINUM P	 PURPLE K
 RED L	 YELLOW N				

Elemental Leg Colors **11 12 13**

 PLATINUM PLT	 CHARCOAL CGR	 ORANGE ORG	 APPLE APL	 CERULEAN CER
---	---	---	--	---

Elemental Leg Style **14 15**



**3" Casters make table height 30"
*REMINDER: Casters sold separately!
(17577 _ _ _)

LEG STYLE:

1. "EG" - Fixed-Height 30"
2. "EC" - Fixed-Height 27"
(use w/ 3" casters = 30"H).
3. "EA" - Adjustable Height
(19" - 33" w/ glides)
(21.5" - 35.5" w/ 3" casters)