

# cascade mega-cabinet

model #: B3100000P\_

## mega-cabinet w/ shelves

### OVERVIEW:

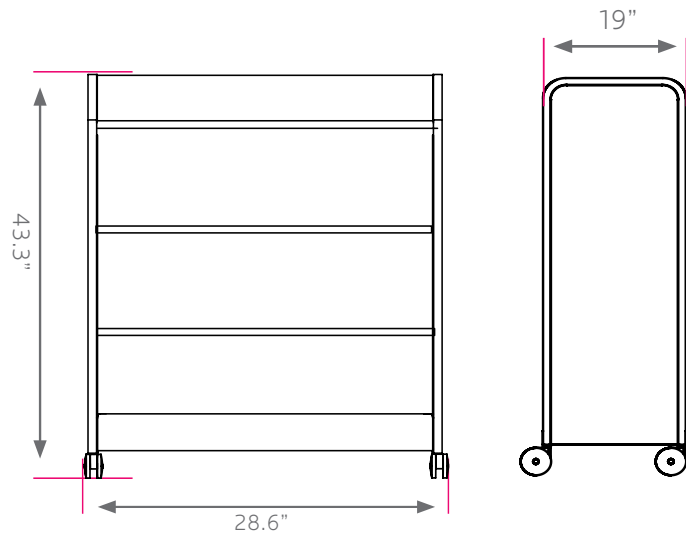
The Cascade series provides storage for a wide variety of items. The Mega-Cabinet is a large width, medium height cabinet in the Cascade grouping, measuring in at 43 5/16" tall, 42 3/8" wide and 19" deep.

### MATERIALS:

The **END PANELS** are made of 18-gauge 1" square tubing, welded flush to an 18-gauge end panel. The inside of each end panel is reinforced by 22-gauge hat channels. These hat channels are dual purpose: added strength and for tote rail shelf mounting. The dome top is 18-gauge formed and welded construction, bolted to each end panel and rear panel with a total of 10 machine screw fasteners. The base is a durable 18-gauge steel construction formed and welded to support the entire weight of the unit squarely. Underneath is a heavy welded hat channel reinforcement. The base shelf is attached to both end panels using 4 machine screw fasteners. The Rear Panel is 18-gauge steel reinforced with up to three vertical hat channels. Two grommet holes (a lower and upper) are punched for convenient wire management and electronic storage. Casters are 5" in diameter, with 2 locking. Optional glides are 3/8" threaded stem.

**RISER SHELVES** are sized perfectly for each cabinet size. These riser shelves are made of 3/4" high density particle board with your choice of laminate and bullet T-Mold color. Shelf is suspended 6 inches above the dome top with 4 riser shelf handles, which measure 1 1/2" diameter and come in Platinum powder coat paint finish (0.03" Thickness). These riser shelf handles bolt on from underneath the dome top with a hefty 3" washer.

The **optional DOORS** include a secure and reliable locking mechanism, which engages lock rods into the dome top and the base shelf. Doors also come with urethane ergonomic and modern door handles of your color choice. The fully hinged doors articulate 270 degrees, free of obstruction.



## mega-cabinet w/ shelves

MODEL	DESCRIPTION		D"	W"	H"	F.C.	WT.
<b>Shelves</b>							
B3100000P_	Open w/shelves	w/glides	19	43	38.4	100	100
B4100000P_	Doors w/shelves	w/glides	19	43	38.4	100	119
B3110000P_	Open w/shelves & riser	w/glides	19	43	45	100	126
B4110000P_	Doors w/shelves & riser	w/glides	19	43	45	100	144
B1100000P_	Open w/shelves	w/casters	19	43	43.3	100	105
B2100000P_	Doors w/shelves	w/casters	19	43	43.3	100	124
B1110000P_	Open w/shelves & riser	w/casters	19	43	50	100	131
B2110000P_	Doors w/shelves & riser	w/casters	19	43	50	100	149
	pallet dimensions		26	45	43.9		

Note: When ordering a Riser Shelf for a Mega-Cabinet, 1 1/4" thick top is only option available.

\*see catalog for all optional parts & accessories.

\*see catalog for all optional parts & accessories.

# cascade mega-cabinet

model #: 610024000P\_

## mega-cabinet w/ totes

### OVERVIEW:

The Cascade series provides storage for a wide variety of items. The Mega-Cabinet is a large width, medium height cabinet in the Cascade grouping, measuring in at 43 5/16" tall, 42 3/8" wide and 19" deep.

### MATERIALS:

The **END PANELS** are made of 18-gauge 1" square tubing, welded flush to an 18-gauge end panel. The inside of each end panel is reinforced by 22-gauge hat channels. These hat channels are dual purpose: added strength and for tote rail shelf mounting. The dome top is 18-gauge formed and welded construction, bolted to each end panel and rear panel with a total of 10 machine screw fasteners. The base is a durable 18-gauge steel construction formed and welded to support the entire weight of the unit squarely. Underneath is a heavy welded hat channel reinforcement. The base shelf is attached to both end panels using 4 machine screw fasteners. The Rear Panel is 18-gauge steel reinforced with up to three vertical hat channels. Two grommet holes (a lower and upper) are punched for convenient wire management and electronic storage. Casters are 5" in diameter, with 2 locking. Optional glides are 3/8" threaded stem.

**RISER SHELVES** are sized perfectly for each cabinet size. These riser shelves are made of 3/4" high density particle board with your choice of laminate and bullet T-Mold color. Shelf is suspended 6 inches above the dome top with 4 riser shelf handles, which measure 1 1/2" diameter and come in Platinum powder coat paint finish (0.03" Thickness). These riser shelf handles bolt on from underneath the dome top with a hefty 3" washer.

The **optional DOORS** include a secure and reliable locking mechanism, which engages lock rods into the dome top and the base shelf. Doors also come with urethane ergonomic and modern door handles of your color choice. The fully hinged doors articulate 270 degrees, free of obstruction.



## mega-cabinet w/ totes

MODEL	DESCRIPTION	D"	W"	H"	F.C.	WT.
<b>Standard Width (SW) Totes</b>		w/casters				
610024000P_	Open w/twenty-four 3" SW totes	19	43	43.3	100	132
620024000P_	Doors w/twenty-four 3" SW totes	19	43	43.3	100	150
610124000P_	Open w/twenty-four 3" SW totes & riser	19	43	50	100	158
620124000P_	Doors w/twenty-four 3" SW totes & riser	19	43	50	100	176
610012060P_	Open w/twelve 3" and six 6" SW totes	19	43	43.3	100	132
620012060P_	Doors w/twelve 3" and six 6" SW totes	19	43	43.3	100	150
610112060P_	Open w/twelve 3" and six 6" SW totes & riser	19	43	50	100	158
620112060P_	Doors w/twelve 3" and six 6" SW totes & riser	19	43	50	100	176
<b>Extra Wide (EW) Totes</b>		w/casters				
B10016000P_	Open w/sixteen 3" EW totes	19	43	43.3	100	132
B20016000P_	Doors w/sixteen 3" EW totes	19	43	43.3	100	150
B10116000P_	Open w/sixteen 3" EW totes & riser	19	43	50	100	158
B20116000P_	Doors w/sixteen 3" EW totes & riser	19	43	50	100	176
B1000080P_	Open w/eight 6" EW totes	19	43	43.3	100	132
B2000080P_	Doors w/eight 6" EW totes	19	43	43.3	100	150
B1010080P_	Open w/eight 6" EW totes & riser	19	43	50	100	158
B2010080P_	Doors w/eight 6" EW totes & riser	19	43	50	100	176
B10008040P_	Open w/eight 3" and four 6" EW totes	19	43	43.3	100	132
B20008040P_	Doors w/eight 3" and four 6" EW totes	19	43	43.3	100	150
B10108040P_	Open w/eight 3" and four 6" EW totes & riser	19	43	50	100	158
B20108040P_	Doors w/eight 3" and four 6" EW totes & riser	19	43	50	100	176
pallet dimensions		26	45	43.9		

Note: When ordering a Riser Shelf for a Mega-Cabinet, 1 1/4" thick top is only option available.

\*see catalog for all optional parts & accessories.

\*see catalog for all optional parts & accessories.

## Cascade Frame



PLATINUM



## Standard Laminate Options \*(Casade Riser Shelves)

Want to specify a different laminate?

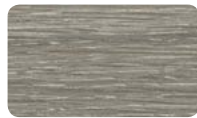
No problem. If you have 20 or more tops of the same color -60 or -38 there is no upcharge. Have 20 or less? We can quote for you with the Wilsonart code and – finish style. We can specify other laminates – call to inquire and get a quote.



### Suggested Standard Laminates:



ASIAN NIGHT  
7949-60  
**ANG**



BOARDWALK OAK  
7983-60  
**BWK**



PEWTER MESH  
4878-60  
**PEW**



CLASSIC LINEN  
4943-60  
**CLN**



HIGH RISE  
4996-60  
**HRE**



BUKA BARK  
7982-60  
**BBK**



PALISADES OAK  
7987-60  
**PSO**



FLAX LINEN  
4990-60  
**FLL**



MISSION MAPLE  
7990-60  
**MIM**



NEW AGE OAK  
7938-60  
**NEW**

### Classic Standard Laminates:



WILD CHERRY  
7054-60  
**CHE**



GREY NEBULA  
4622-60  
**GNB**



FUSION MAPLE  
7909-60  
**MAP**

All 13 of the standard laminates are -60 finish, if you need to match a laminate from a previous year, please let us know on your order (example Pewter Mesh 4878-38, our standard is -60).

When the WilsonArt Laminate code includes a "Y", "K", "-12" "-78", "Aeon" etc, these are special laminates with an upcharge, even when it contains -38 or -60.

## Cascade End Panel and Edge Color Options



APPLE **A**



BLACK **B**



BLUEBERRY **C**



BURGUNDY **D**



CERULEAN **S**



CHARCOAL **R**



CHOCOLATE **Q**



CLEMENTINE **E**



FOREST GREEN **F**



FUCHSIA **G**



MINT **H**



MOCHA **T**



NAVY **I**



ORANGE **U**



PERSIAN BLUE **J**



PLATINUM **P**



PURPLE **K**



RED **L**



YELLOW **N**