

cascade mid-cabinet

model #: 511000000P_

mid-cabinet w/ shelves

OVERVIEW:

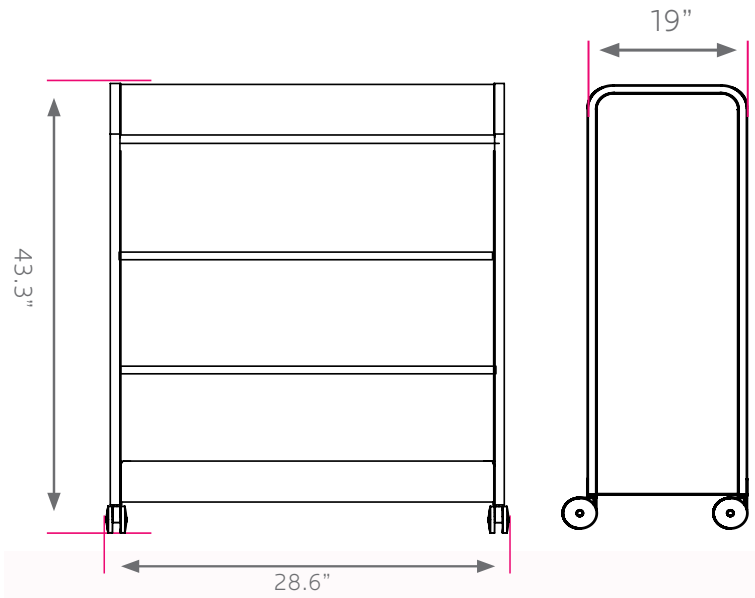
The Cascade series provides storage for a wide variety of items. The Mid-Cabinet is a medium width, medium height cabinet in the Cascade grouping, measuring in at 43 5/16" tall, 28 5/8" wide and 19" deep.

MATERIALS:

The **END PANELS** are made of 18-gauge 1" square tubing, welded flush to an 18-gauge end panel. The inside of each end panel is reinforced by 22-gauge hat channels. These hat channels are dual purpose: added strength and for tote rail shelf mounting. The dome top is 18-gauge formed and welded construction, bolted to each end panel and rear panel with a total of 10 machine screw fasteners. The base is a durable 18-gauge steel construction formed and welded to support the entire weight of the unit squarely. Underneath is a heavy welded hat channel reinforcement. The base shelf is attached to both end panels using 4 machine screw fasteners. The Rear Panel is 18-gauge steel reinforced with up to three vertical hat channels. Two grommet holes (a lower and upper) are punched for convenient wire management and electronic storage. Casters are 4" in diameter, with 2 locking. Optional glides are 3/8" threaded stem.

RISER SHELVES are sized perfectly for each cabinet size. These riser shelves are made of 3/4" high density particle board with your choice of laminate and bullet T-Mold color. Shelf is suspended 6 inches above the dome top with 4 riser shelf handles, which measure 1 1/2" diameter and come in Platinum powder coat paint finish (0.03" Thickness). These riser shelf handles bolt on from underneath the dome top with a hefty 3" washer.

The **optional DOORS** include a secure and reliable locking mechanism, which engages lock rods into the dome top and the base shelf. Doors also come with urethane ergonomic and modern door handles of your color choice. The fully hinged doors articulate 270 degrees, free of obstruction.



mid-cabinet w/ shelves

MODEL	DESCRIPTION	D"	W"	H"	F.C.	WT.
Shelves						
511000000P_	Open w/shelves	19	29	43.3	100	81
521000000P_	Doors w/shelves	19	29	43.3	100	97
511V00000P_---	Open w/shelves & riser	19	29	50	100	101
521V00000P_---	Doors w/shelves & riser	19	29	50	100	117
	pallet dimensions	26	34	43.9		

*see catalog for all optional parts & accessories.

*see catalog for all optional parts & accessories.

cascade mid-cabinet

model #: 510016000P_

mid-cabinet w/ SW totes

OVERVIEW:

The Cascade series provides storage for a wide variety of items. The Mid-Cabinet is a medium width, medium height cabinet in the Cascade grouping, measuring in at 43 5/16" tall, 28 5/8" wide and 19" deep.

MATERIALS:

The **END PANELS** are made of 18-gauge 1" square tubing, welded flush to an 18-gauge end panel. The inside of each end panel is reinforced by 22-gauge hat channels. These hat channels are dual purpose: added strength and for tote rail shelf mounting. The dome top is 18-gauge formed and welded construction, bolted to each end panel and rear panel with a total of 10 machine screw fasteners. The base is a durable 18-gauge steel construction formed and welded to support the entire weight of the unit squarely. Underneath is a heavy welded hat channel reinforcement. The base shelf is attached to both end panels using 4 machine screw fasteners. The Rear Panel is 18-gauge steel reinforced with up to three vertical hat channels. Two grommet holes (a lower and upper) are punched for convenient wire management and electronic storage. Casters are 4" in diameter, with 2 locking. Optional glides are 3/8" threaded stem.

RISER SHELVES are sized perfectly for each cabinet size. These riser shelves are made of 3/4" high density particle board with your choice of laminate and bullet T-Mold color. Shelf is suspended 6 inches above the dome top with 4 riser shelf handles, which measure 1 1/2" diameter and come in Platinum powder coat paint finish (0.03" Thickness). These riser shelf handles bolt on from underneath the dome top with a hefty 3" washer.

The **optional DOORS** include a secure and reliable locking mechanism, which engages lock rods into the dome top and the base shelf. Doors also come with urethane ergonomic and modern door handles of your color choice. The fully hinged doors articulate 270 degrees, free of obstruction.



mid-cabinet w/ SW totes

MODEL	DESCRIPTION	D"	W"	H"	F.C.	WT.
<i>Standard Width (SW) Totes</i>						
510016000P_	Open w/sixteen 3" SW totes	19	29	43.3	100	97
520016000P_	Doors w/sixteen 3" SW totes	19	29	43.3	100	113
510V16000P_-----	Open w/sixteen 3" SW totes & riser	19	29	50	100	117
520V16000P_-----	Doors w/sixteen 3" SW totes & riser	19	29	50	100	123
510008040P_	Open w/eight 3" and four 6" SW totes	19	29	43.3	100	95
520008040P_	Doors w/eight 3" and four 6" SW totes	19	29	43.3	100	111
510V08040P_-----	Open w/eight 3" and four 6" SW totes & riser	19	29	50	100	115
520V08040P_-----	Doors w/eight 3" and four 6" SW totes & riser	19	29	50	100	121
51000080P_	Open w/eight 6" SW totes	19	29	43.3	100	95
52000080P_	Doors w/eight 6" SW totes	19	29	43.3	100	111
510V0080P_-----	Open w/eight 6" SW totes & riser	19	29	50	100	115
520V0080P_-----	Doors w/eight 6" SW totes & riser	19	29	50	100	121
	pallet dimensions	26	34	43.9		

*see catalog for all optional parts & accessories.

*see catalog for all optional parts & accessories.

Cascade Frame



PLATINUM



Standard Laminate Options *(Casade Riser Shelves)

Want to specify a different laminate?

No problem. If you have 20 or more tops of the same color -60 or -38 there is no upcharge. Have 20 or less? We can quote for you with the Wilsonart code and – finish style. We can specify other laminates – call to inquire and get a quote.



Suggested Standard Laminates:



ASIAN NIGHT
7949-60
ANG



BOARDWALK OAK
7983-60
BWK



PEWTER MESH
4878-60
PEW



CLASSIC LINEN
4943-60
CLN



HIGH RISE
4996-60
HRE



BUKA BARK
7982-60
BBK



PALISADES OAK
7987-60
PSO



FLAX LINEN
4990-60
FLL



MISSION MAPLE
7990-60
MIM



NEW AGE OAK
7938-60
NEW

Classic Standard Laminates:



WILD CHERRY
7054-60
CHE



GREY NEBULA
4622-60
GNB



FUSION MAPLE
7909-60
MAP

All 13 of the standard laminates are -60 finish, if you need to match a laminate from a previous year, please let us know on your order (example Pewter Mesh 4878-38, our standard is -60).

When the WilsonArt Laminate code includes a "Y", "K", "-12" "-78", "Aeon" etc, these are special laminates with an upcharge, even when it contains -38 or -60.

Cascade End Panel and Edge Color Options



APPLE **A**



BLACK **B**



BLUEBERRY **C**



BURGUNDY **D**



CERULEAN **S**



CHARCOAL **R**



CHOCOLATE **Q**



CLEMENTINE **E**



FOREST GREEN **F**



FUCHSIA **G**



MINT **H**



MOCHA **T**



NAVY **I**



ORANGE **U**



PERSIAN BLUE **J**



PLATINUM **P**



PURPLE **K**



RED **L**



YELLOW **N**