

# cascade mini-tower

model #: 711000000P\_

## mini-tower w/ shelves

**OVERVIEW:**

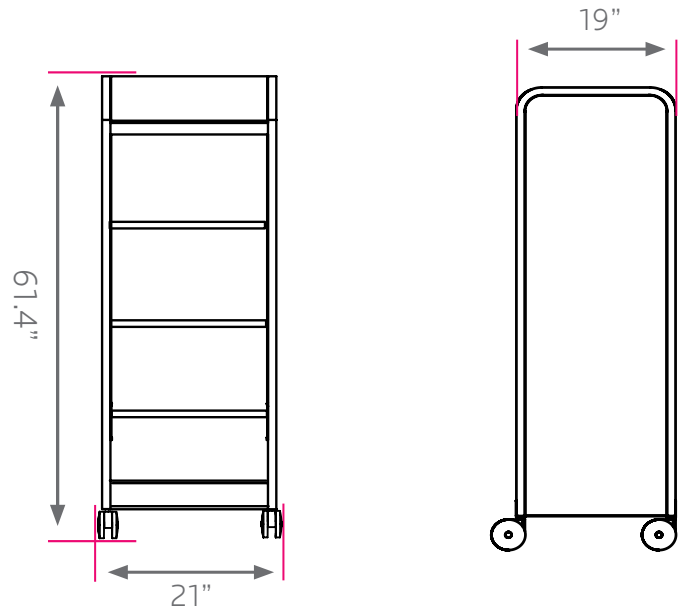
The Cascade series provides storage for a wide variety of items. The Mini-Tower is one of the tallest height cabinets in the Cascade grouping, measuring in at 61 3/8" tall, 21" wide and 19" deep.

**MATERIALS:**

The **END PANELS** are made of 18-gauge 1" square tubing, welded flush to an 18-gauge end panel. The inside of each end panel is reinforced by 22-gauge hat channels. These hat channels are dual purpose: added strength and for tote rail shelf mounting. The dome top is 18-gauge formed and welded construction, bolted to each end panel and rear panel with a total of 10 machine screw fasteners. The base is a durable 18-gauge steel construction formed and welded to support the entire weight of the unit squarely. Underneath is a heavy welded hat channel reinforcement. The base shelf is attached to both end panels using 4 machine screw fasteners. The Rear Panel is 18-gauge steel reinforced with up to three vertical hat channels. Two grommet holes (a lower and upper) are punched for convenient wire management and electronic storage. Casters are 4" in diameter, with 2 locking. Optional glides are 3/8" threaded stem.

The **optional DOORS** include a secure and reliable locking mechanism, which engages lock rods into the dome top and the base shelf. Doors also come with urethane ergonomic and modern door handles of your color choice. The fully hinged doors articulate 270 degrees, free of obstruction.

Due to the Cascade Tower's height, **riser shelves are not available on Cascade Mini Tower, Mid Tower or Mega Tower.**



## mini-tower w/shelves

MODEL	DESCRIPTION	D"	W"	H"	F.C.	WT.
<b>Shelves</b>						
711000000P_	Open w/shelves	19	21	61.4	100	81
721000000P_	Door w/shelves	19	21	61.4	100	97

\*see catalog for all optional parts & accessories.

\*see catalog for all optional parts & accessories.

# cascade mini-tower

model #: 710012000P\_

## mini-tower w/ totes

### OVERVIEW:

The Cascade series provides storage for a wide variety of items. The Mini-Tower is one of the tallest height cabinets in the Cascade grouping, measuring in at 61 3/8" tall, 21" wide and 19" deep.

### MATERIALS:

The **END PANELS** are made of 18-gauge 1" square tubing, welded flush to an 18-gauge end panel. The inside of each end panel is reinforced by 22-gauge hat channels. These hat channels are dual purpose: added strength and for tote rail shelf mounting. The dome top is 18-gauge formed and welded construction, bolted to each end panel and rear panel with a total of 10 machine screw fasteners. The base is a durable 18-gauge steel construction formed and welded to support the entire weight of the unit squarely. Underneath is a heavy welded hat channel reinforcement. The base shelf is attached to both end panels using 4 machine screw fasteners. The Rear Panel is 18-gauge steel reinforced with up to three vertical hat channels. Two grommet holes (a lower and upper) are punched for convenient wire management and electronic storage. Casters are 4" in diameter, with 2 locking. Optional glides are 3/8" threaded stem.

The **optional DOORS** include a secure and reliable locking mechanism, which engages lock rods into the dome top and the base shelf. Doors also come with urethane ergonomic and modern door handles of your color choice. The fully hinged doors articulate 270 degrees, free of obstruction.

Due to the Cascade Tower's height, **riser shelves are not available on Cascade Mini Tower, Mid Tower or Mega Tower.**



## mini-tower w/ totes

MODEL	DESCRIPTION	D"	W"	H"	F.C.	WT.
<i>Extra Wide (EW) Totes</i>						
710012000P_	Open w/twelve 3" EW totes	19	21	61.4	100	96
720012000P_	Door w/twelve 3" EW totes	19	21	61.4	100	112
710003050P_	Open w/three 3" and five 6" EW totes	19	21	61.4	100	94
720003050P_	Door w/three 3" and five 6" EW totes	19	21	61.4	100	110
710000060P_	Open w/six 6" EW totes	19	21	61.4	100	96
720000060P_	Door w/six 6" EW totes	19	21	61.4	100	112

\*see catalog for all optional parts & accessories.

\*see catalog for all optional parts & accessories.

## Cascade Frame



PLATINUM

**\*(Cascade Riser Shelves not available on Cascade 'Towers' due to height).**

### Standard Laminate Options \*(Cascade Riser Shelves)

#### Want to specify a different laminate?

No problem. If you have 20 or more tops of the same color -60 or -38 there is no upcharge. Have 20 or less? We can quote for you with the Wilsonart code and – finish style. We can specify other laminates – call to inquire and get a quote.



#### Suggested Standard Laminates:



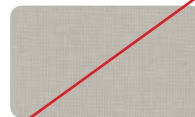
ASIAN NIGHT  
7949-60  
**ANG**



BOARDWALK OAK  
7983-60  
**BWK**



PEWTER MESH  
4878-60  
**PEW**



CLASSIC LINEN  
4943-60  
**CLN**



HIGH RISE  
4996-60  
**HRE**



BUKA BARK  
7982-60  
**BBK**



PALISADES OAK  
7987-60  
**PSO**



FLAX LINEN  
4990-60  
**FLL**



MISSION MAPLE  
7990-60  
**MIM**



NEW AGE OAK  
7938-60  
**NEW**

#### Classic Standard Laminates:



WILD CHERRY  
7054-60  
**CHE**



GREY NEBULA  
4622-60  
**GNB**



FUSION MAPLE  
7909-60  
**MAP**

All 13 of the standard laminates are -60 finish, if you need to match a laminate from a previous year, please let us know on your order (example Pewter Mesh 4878-38, our standard is -60).

When the WilsonArt Laminate code includes a "Y", "K", "-12", "-78", "Aeon" etc, these are special laminates with an upcharge, even when it contains -38 or -60.

## Cascade End Panel Color Options



APPLE **A**



BLACK **B**



BLUEBERRY **C**



BURGUNDY **D**



CERULEAN **S**



CHARCOAL **R**



CHOCOLATE **Q**



CLEMENTINE **E**



FOREST GREEN **F**



FUCHSIA **G**



MINT **H**



MOCHA **T**



NAVY **I**



ORANGE **U**



PERSIAN BLUE **J**



PLATINUM **P**



PURPLE **K**



RED **L**



YELLOW **N**