

cascade nomad

model #: 21900

nomad, rolling storage

DIMENSIONS + FREIGHT:

MODEL #		D"	W"	H"	F.C.	WEIGHT
21900	Cascade Nomad	21"	43"	53"	100	128 lbs.

OVERVIEW:

Featuring three shelves, the Cascade Nomad offers an open-shelf layout with easy access for maximizing storage in any classroom or library setting. The powder coated all steel construction maximizes durability guarantying many years of service.

MATERIALS:

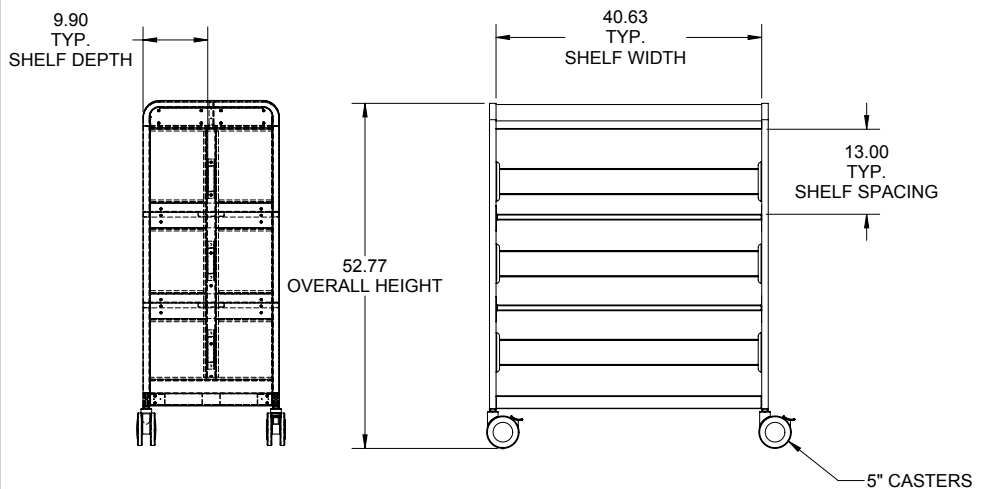
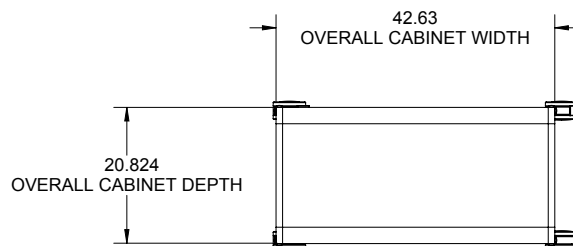
The **END PANELS** are made of 20-gauge 1" square tubing, welding flush to an 18-gauge end panel. The inside of each end panel is reinforced by 18-gauge hat channels. These hat channels are for added strength. The dome top is 16-gauge formed and welded construction, bolted to each end panel. The base is a durable 16-gauge steel construction formed and welded to support the entire weight of the unit squarely. Underneath is a heavy welded hat channel for reinforcement. The base shelf is attached to both end panels using four machine screw fasteners. Casters are 5" in diameter, with two locking. Optional glides are 3/8" threaded stem. Each shelf has 1" of adjustment up or down.

MAXIMUM WEIGHT CAPACITY = 800 LBS.

COLOR SELECTION:



PLATINUM FINISH ONLY.



*see catalog for all optional parts & accessories.