

# Assembly Instructions

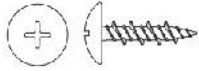
## Elemental Tables



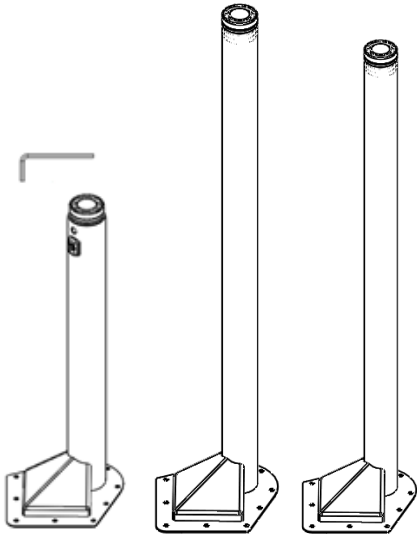
\*Elemental Table available in numerous shapes and sizes. Picture does not necessarily represent parts received.

If you have damaged or missing components,  
Please contact customer service at 1-800-328-1061

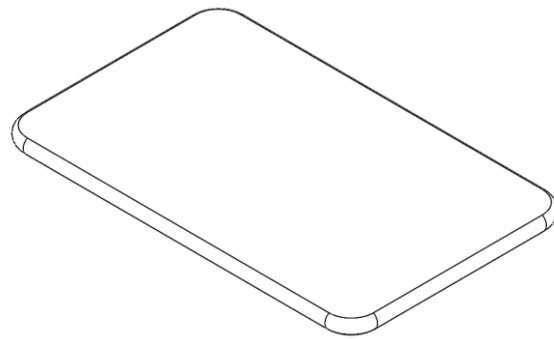
# Hardware and Components



#10X3/4" WOOD SCREW  
P/N - 70054  
QTY. 10 PER LEG



ELEMENTAL LEG SET  
P/N - 77974, 77976, 77977  
QTY. 4-6 (DEPENDS ON TOP SHAPE)



ELEMENTAL TOP  
QTY. 1  
(SHAPE AND SIZE DEPEND ON ORDER)

## Special Notes:

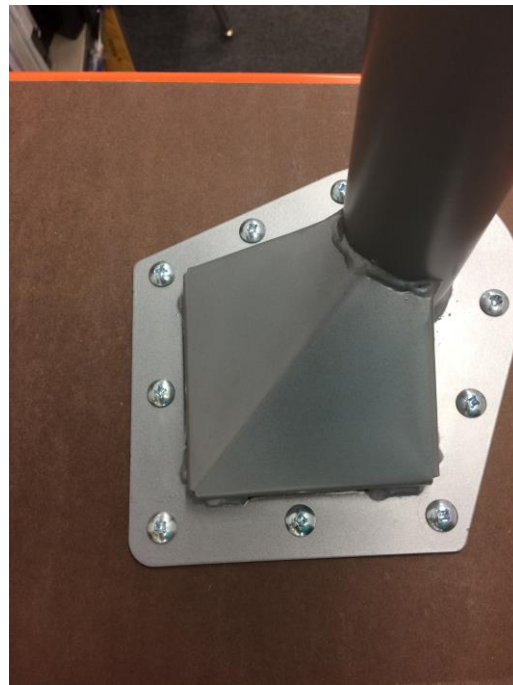
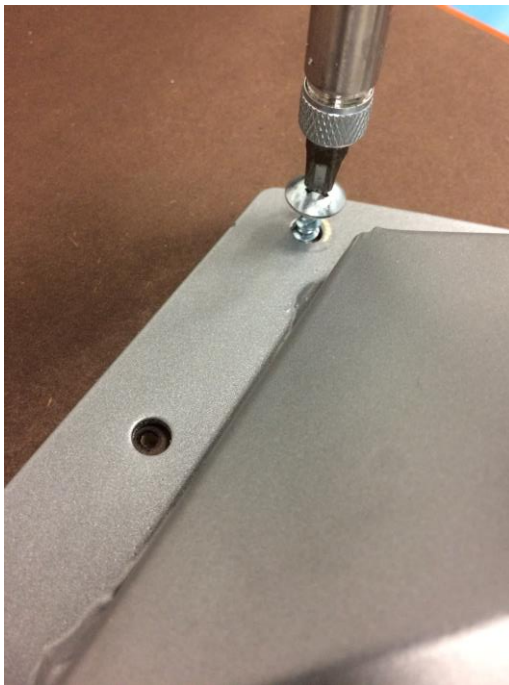
- Check that all components are accounted for and undamaged before assembling.
- Please assemble the product in a clean and dry area.
- For larger units you may need another person to help assemble the product.
- Clean the product with a mild cleaner and a damp cloth.

# Assembly Instructions

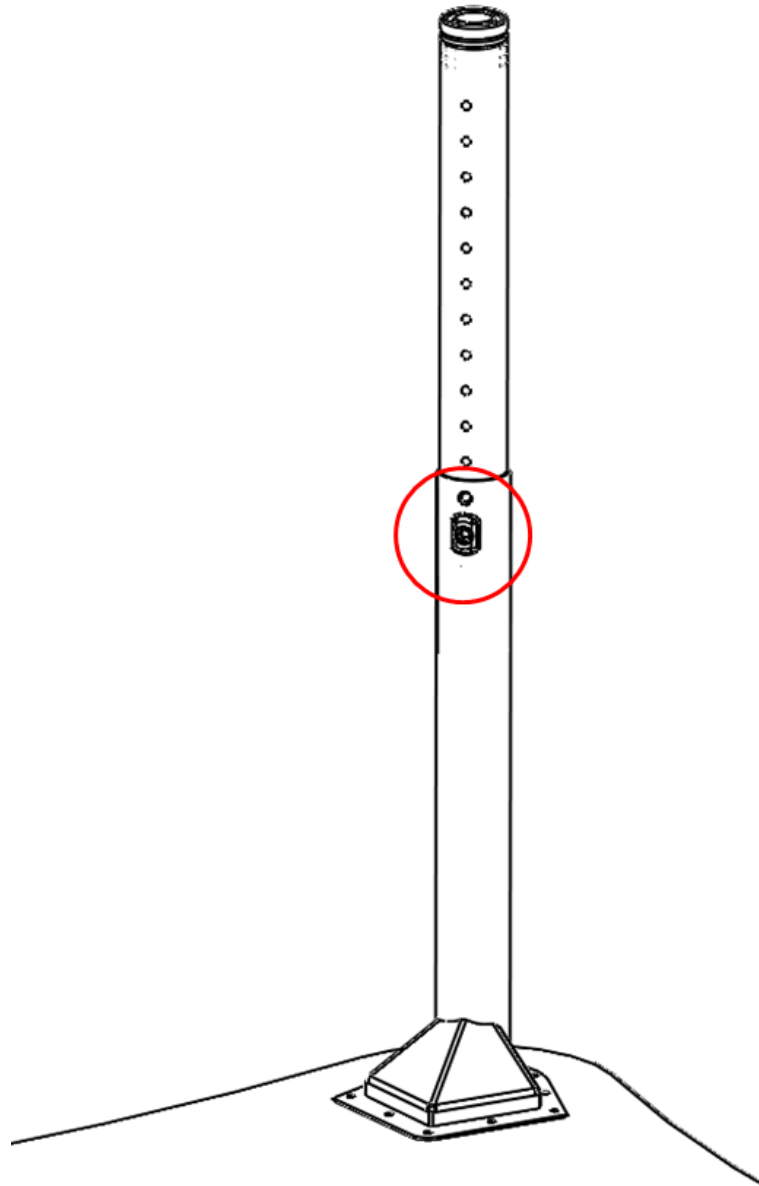
**Step 1:** Flip the top over and identify predrilled pattern.



**Step 2:** Align table leg with pattern and install 10 screws. Repeat for each leg.



**Step 3: For adjustable height legs only.** Adjust the leg height as needed by loosening the set screw in the leg (use the provided hex key to loosen). Tighten the set screws. Hand tighten, do not use power tool, to tighten set screw to ensure screw is correctly located in the insert hole.



**DONE**