

# elemental half moon table

model #: ELHAMO\_\_\_\_\_EG

**DIMENSIONS + FREIGHT:**

| MODEL                   | DESCRIPTION     | LEG TYPE                | LEG #  | D" | W" | H"    | F.C. | CUBE | WT. |
|-------------------------|-----------------|-------------------------|--------|----|----|-------|------|------|-----|
| <b>Half Moon Models</b> |                 |                         |        |    |    |       |      |      |     |
| ELHAMO_____EG           | Half Moon Table | Fixed Height            | 4 Legs | 36 | 72 | 30    | 70   | 3.0  | 94  |
| ELHAMO_____EC*          | Half Moon Table | Fixed Height for Caster | 4 Legs | 36 | 72 | 27**  | 70   | 3.0  | 98  |
| ELHAMO_____EA           | Half Moon Table | Adjustable Height       | 4 Legs | 36 | 72 | 19-33 | 70   | 3.0  | 97  |

\*REMINDER: Casters sold separately.

\*\*3" Casters make table height 30."

**BUILD PART NUMBER:**

EL H A M O 7 8 9 10 11 12 13 14 15  
 or E8 Choose MODEL Pick Laminate Color Pick Edge Color Pick Leg Color Pick Leg Style  
 Fixed-height with Glide (EG) leg set is standard.

**OVERVIEW:**

Elemental tables have optional colored casters and matching colored leg sets. The unique colored legs comes in three configurations; fixed height (EG), adjustable height (EA) and fixed height for use with casters (EC).

**MATERIALS:**

The 1 1/4" thick **WORK SURFACE** consists of a 45 lb density particle board core with a 0.030" high pressure laminated surface and a 0.020" melamine backer sheet. The edge of the tabletop features your choice of a 3/8" bumper t-mold or 4mm t-mold, which is then fastened to the underside of the work surface every 6 to 8 inches to assure a long lasting fit.

**LEG STYLE:** 14 15

1. "EG" - Fixed-Height 30"
2. "EC" - Fixed-Height 27"\*\* (use w/ 3" casters = 30"H).
3. "EA" - Adjustable Height 19" - 33" (with glides)

The Elemental **LEG SETS** are constructed of 14-gauge steel with a durable powdercoat paint finish in one of five colors. The legs are reinforced by a gusseted, 'spade' shaped, mounting plate. Each one of the 4 legs attach to the pre-drilled holes in the top with 10 #10 x 5/8" screws per leg. Legs come standard with a nylon base glide.

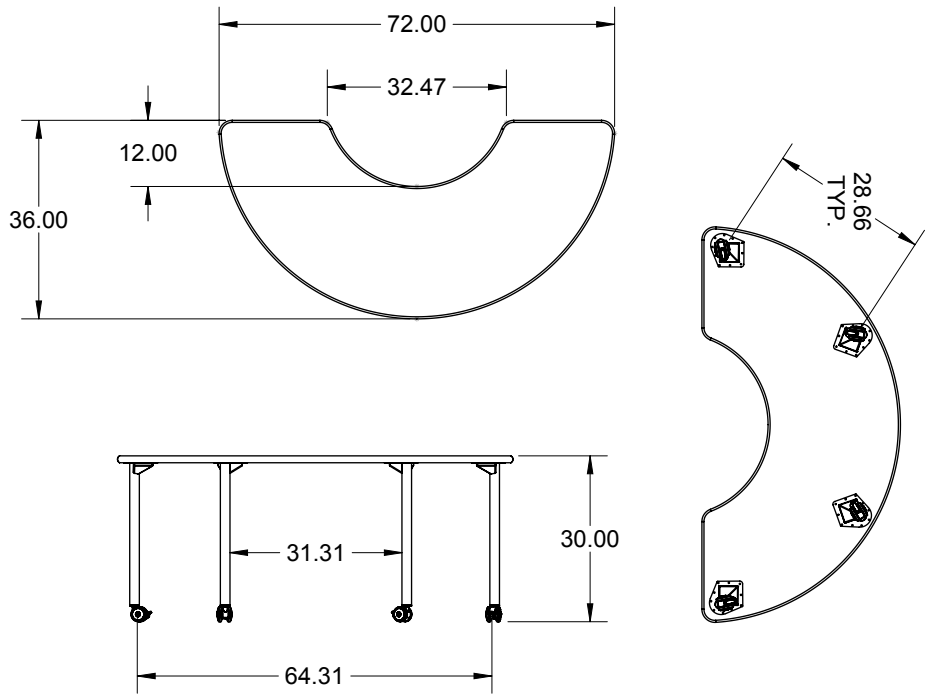
**OPTIONAL** dual-wheel 3" casters available as a separate line item, the 30x60 Rectangle Table uses 4-pack, Model 17576 (for Black), or use Model 17577 \_\_\_ for colors: platinum, orange, cerulean, charcoal or apple.

**New for 2017 add colored casters:**

Model 17577 \_\_\_ (4-pack)



\*REMINDER: Casters sold separately! (17577 \_\_\_ [4-pack])



\*\*drawings shown with 'EC' style legs, with optional 3" casters added.

\*\*3" Casters make table height 30."

\*REMINDER: Casters sold separately! (17577 \_\_\_)



**LEG STYLE:** 14 15



# Standard Laminate Options



EL or E8  
Choose MODEL

7 8 9  
Pick Laminate Color

10  
Pick Edge Color

11 12 13  
Pick Leg Color

14 15  
Pick Leg Style  
Fixed-height with Glide (EG)  
leg set is standard.

Want to specify a different laminate?

No problem. If you have 20 or more tops of the same color -60 or -38 there is no upcharge. Have 20 or less? We can quote for you with the Wilsonart code and - finish style. We can specify other laminates - call to inquire and get a quote.



## Suggested Standard Laminates: 7 8 9



## Classic Standard Laminates:



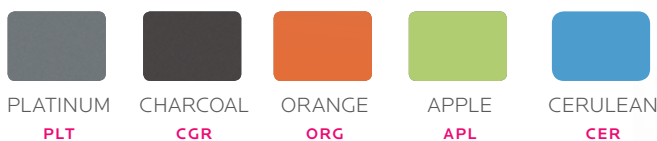
All 13 of the standard laminates are -60 finish, if you need to match a laminate from a previous year, please let us know on your order (example Pewter Mesh 4878-38, our standard is -60).

When the WilsonArt Laminate code includes a "Y", "K", "-12" "-78", "Aeon" etc, these are special laminates with an upcharge, even when it contains -38 or -60.

## Standard Edge Color Options 10



## Elemental Leg Colors 11 12 13



## Elemental Leg Style 14 15



\*\*3" Casters make table height 30."  
\*REMINDER: Casters sold separately!  
(17577 \_ \_ \_)

### LEG STYLE:

1. "EG" - Fixed-Height 30"
2. "EC" - Fixed-Height 27"  
(use w/ 3" casters = 30"H).
3. "EA" - Adjustable Height  
(19" - 33" w/ glides)  
(21.5" - 35.5" w/ 3" casters)