



Graphic Arts Table

Assembly Instructions



For assistance in assembling product,
or to place an order please contact customer service at 800-328-1061.
You may also place your order online at

Special Notes

1. DO NOT remove the components for the shipping box. Keeping the Top Assembly in the box will ease assembly later.
2. Check that all components are accounted for and undamaged before assembling.
2. Plan to assemble product in a clean and dry area.
3. Due to size, we recommend that two people should be involved in assembling product.
4. If necessary, clean the product with a mild cleaner and a damp cloth.

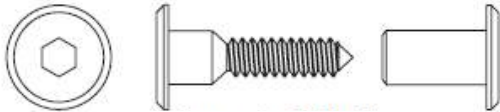
Tools

You will need a Phillips head screw driver.

Notes:

If you have damaged or missing components or hardware please contact customer service at 1 (800) 328-1061

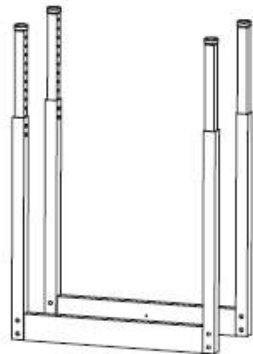
Hardware and Components



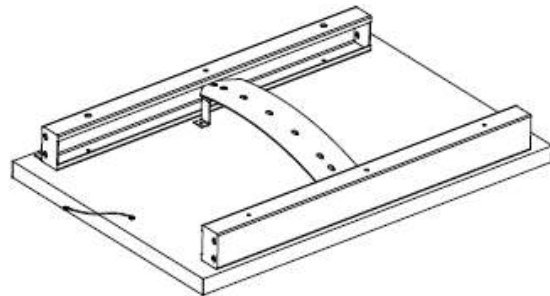
Connector Bolts (8)



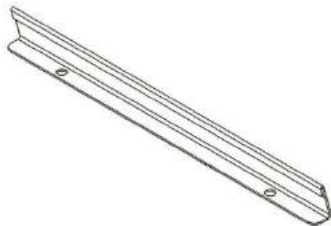
Allen Wrench (2)



Legs (1 pair)

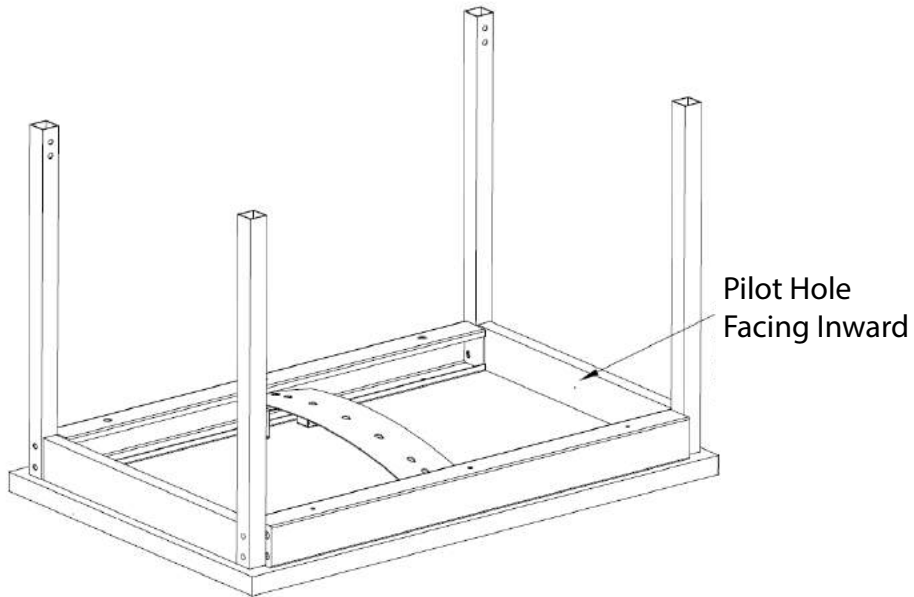


Top Sub Assembly
(w/ Curved Easel, Cable, Easel Clip, Front Brace,
Fasteners, and Rear Brace) (1)

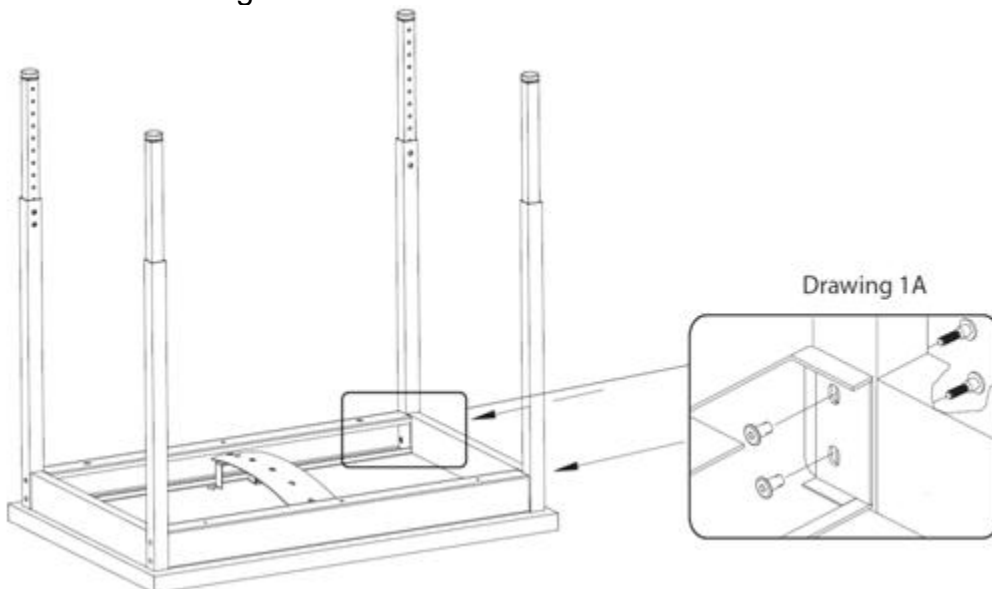


Pencil Retainer (1)
with (3) Screws

Step 1: NOTE: You will assemble the legs while the contents (Top Sub Assembly) are still in the shipping box.
Remove the filler pieces on each end. This should allow some working room to attach the legs.
You may break down the short ends of the box to gain more access to the ends. Attach the legs to the front brace and rear brace. Make sure the pinholes on the legs are facing the desk.
(4) Connector Bolts, (2) per leg. (See drawing 1A).

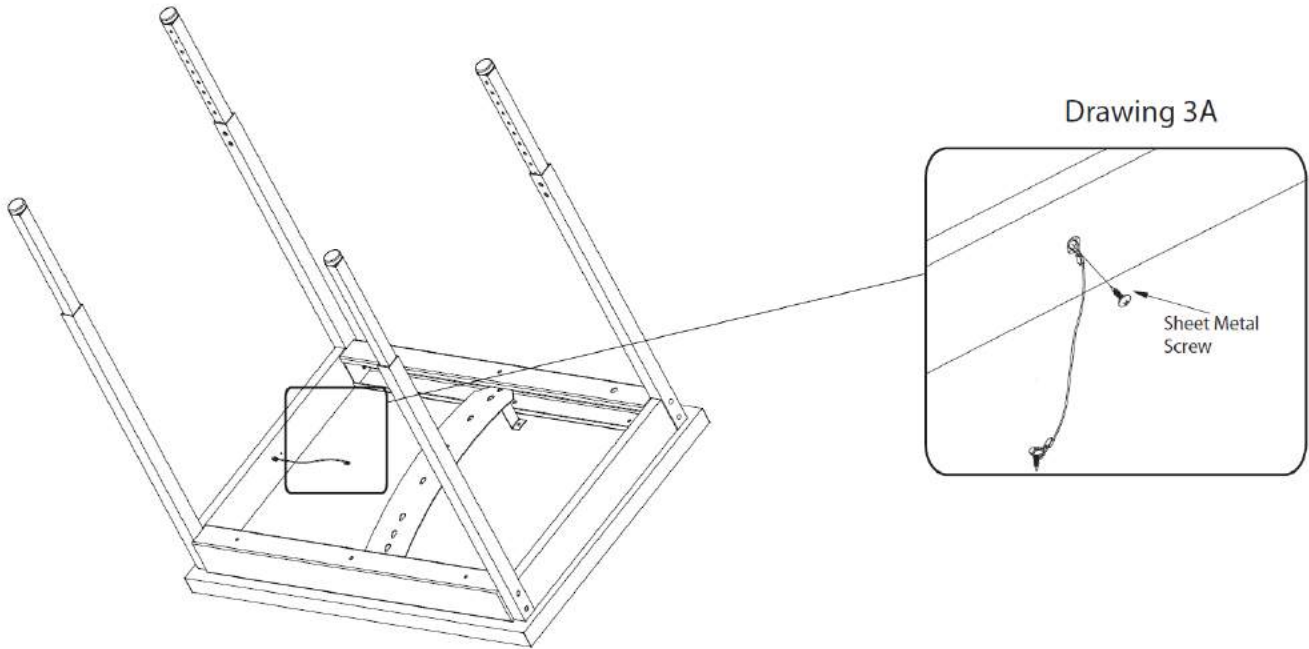


Step 2: There are (8) connector bolts enclosed in the box with the legs. Using these connector bolts, attach the legs as shown below. Use the two enclosed allen wrenches to tighten the bolts from both sides



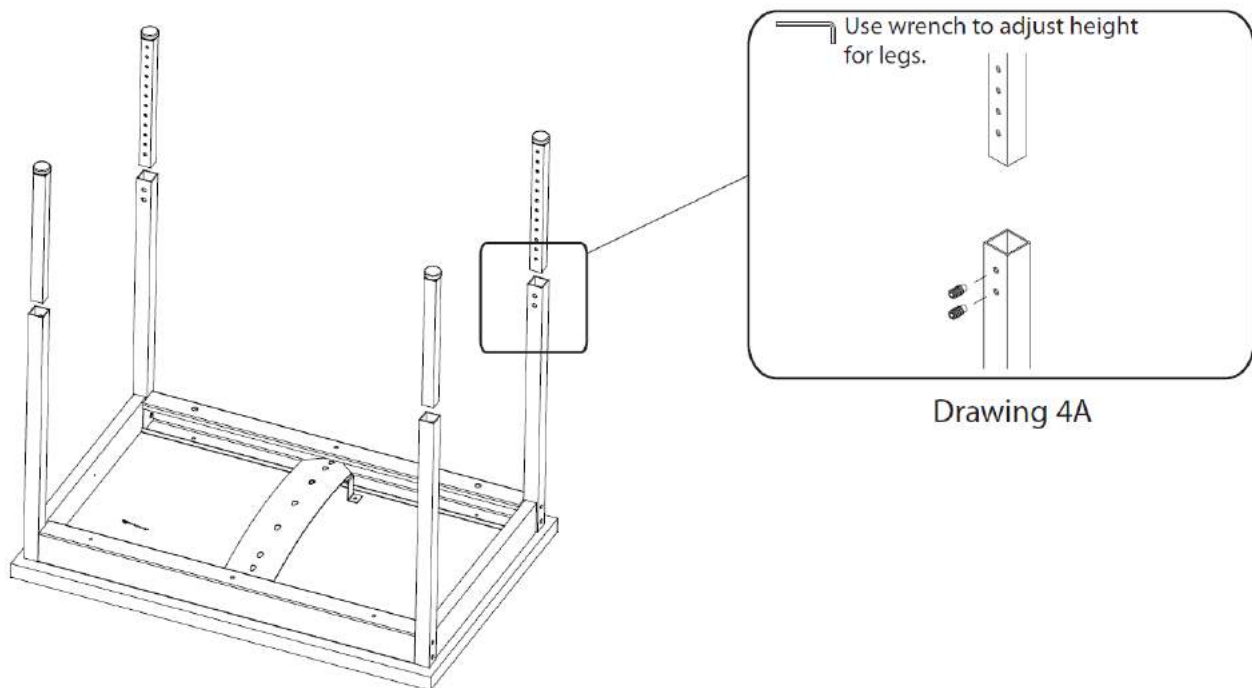
Step 3: Attach the cable.

Take the loose end of the cable and set it flush against the pilot hole on the leg. Using a Phillips head screwdriver, or an electric screwdriver, attach the eyehole of the cable with the (1) Sheet Metal Screw enclosed with pencil retainer.



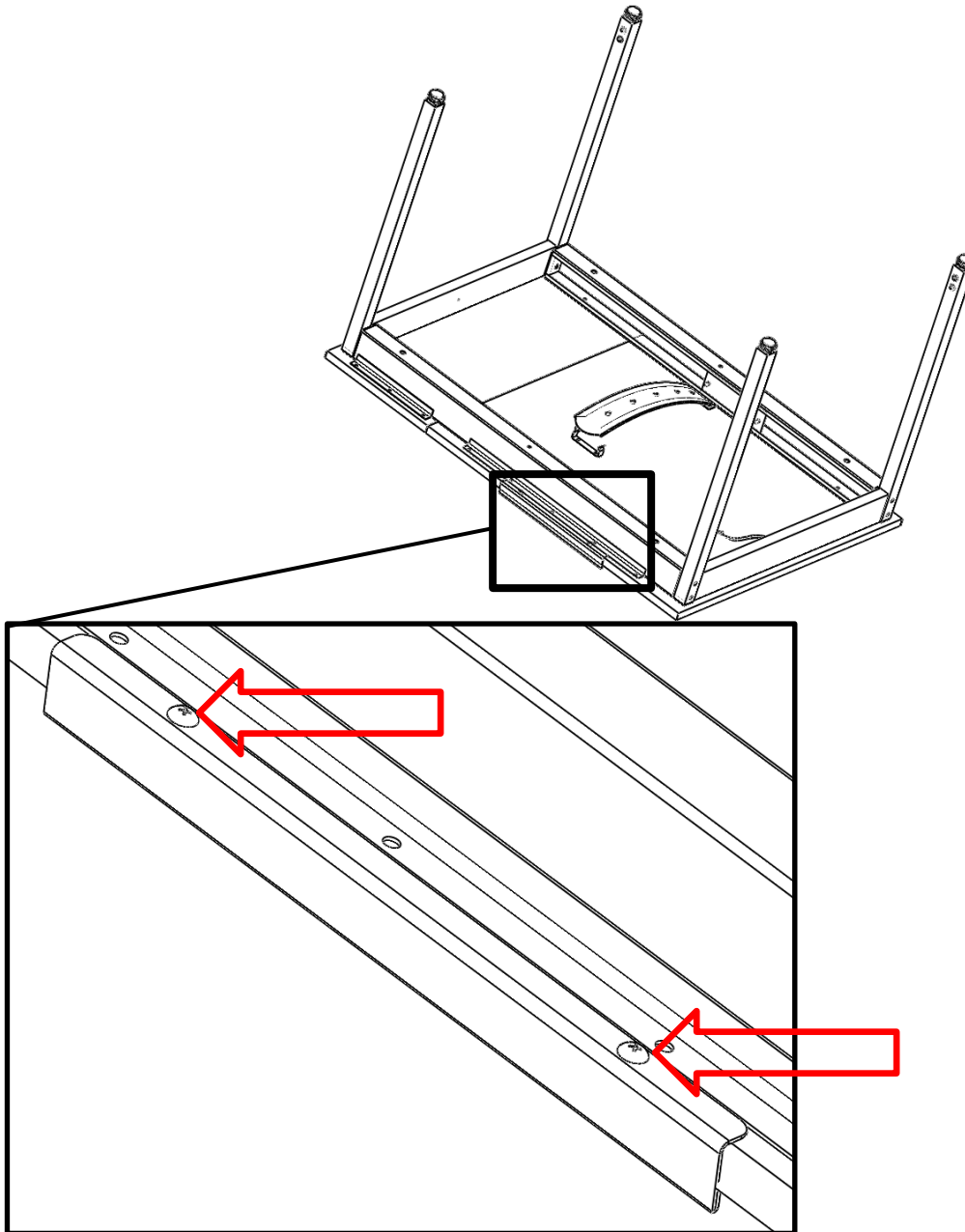
Step 4: Optional: Adjust the legs.

Legs are set to a standard height upon arrival. If you require a different height, use the allen wrench to loosen the dog screws. Set the leg stem to the desired height, and re-tighten the dog screws.



Step 5: Optional: Install Pencil Retainer

The pencil retainer and required hardware are included in the Top Sub-Assembly. There are two holes predrilled into the top (in front of the hinge of the front brace). These are the two holes needed to attach the pencil retainer to the Graphic Arts Desk top. Using a Phillips head screwdriver and the (2) wood screws included, attach the pencil retainer to the top.



Step 6: Remove complete assembly from packaging

Once you are finished assembling the product, two people are recommended to remove the complete assembly from the shipping box and turn right-side-up.