



# Interchange<sup>®</sup> Desks

## Two-Student Diamond Desk

MODEL#: 03081



### OVERVIEW

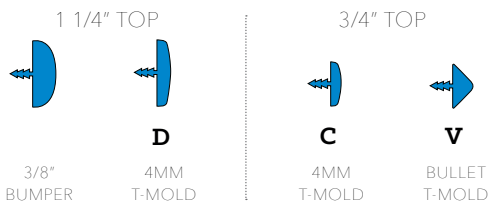
Our two-student Interchange<sup>®</sup> Diamond Desk is a unique shape to the classroom which offers several arrangements. Group three units together to make a circle of six students or combine two student diamonds and single student diamonds.

### MATERIALS

The WORK SURFACE consists of a 45 lb density particle board core with a 0.030" high pressure laminated surface and a 0.020" melamine backer sheet. The edge of the work surface features a t-mold edge that is mechanically fastened to the underside of the work surface every 6 to 8 inches to assure a long lasting fit. 1 1/4" or 3/4" thick top.

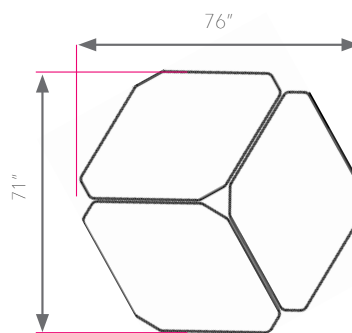
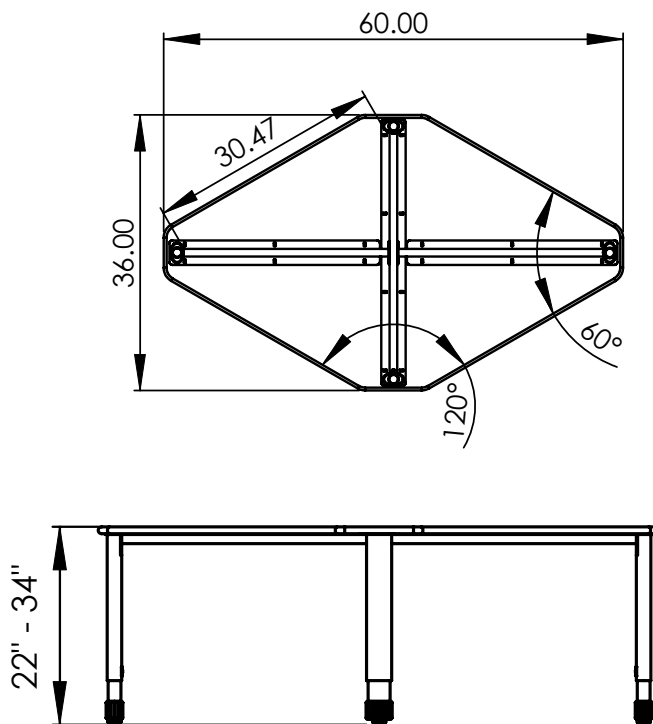
The FRAME consists of three fully welded segments. Ellipse shaped tubes measure 1.5" x 2.5". 16-gauge leg inserts and leg stems are welded to 14-gauge plates. Top is predrilled to attach legs using included fasteners. Legs include a 1" adjustable leveling glide with a locking stop to provide stability on uneven floors.

### INTERCHANGE<sup>®</sup> TOP & EDGE PROFILE



### DIMENSIONS

Model	Description	D"	W"	H"	F.C.	Cube	WT
03081	Interchange <sup>®</sup> Two-Student Diamond Desk	36	60	22-34	70	7.8	78
	Shipping Dimensions Box 1	36	60	1.25			
	Shipping Dimensions Box 2	26	30	4			



**STANDARD LAMINATE OPTIONS**

Want to specify a different laminate?

No problem. If you have 20 or more tops of the same color -60 or -38 there is no upcharge. Have 20 or less? We can quote for you with the Wilsonart code and - finish style. We can specify other laminates - call to inquire and get a quote.



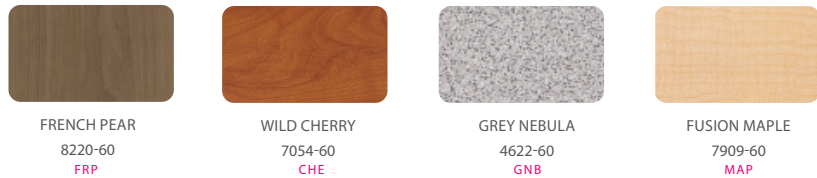
**SUGGESTED LAMINATE OPTIONS**



All 15 of the standard laminates are -60 finish, if you need to match a laminate from a previous year, please let us know on your order (example Pewter Mesh 4878-38, our standard is -60).

When the WilsonArt Laminate code includes a "Y", "K", "-12" "-78", "Aeon" etc, these are special laminates with an upcharge, even when it contains -38 or -60.

Classic Standard Laminates:



**STANDARD EDGE COLOR OPTIONS**



**LEG COLOR OPTIONS**

