



Interchange[®] Desks

Diamond Desk

MODEL#: 03082



OVERVIEW

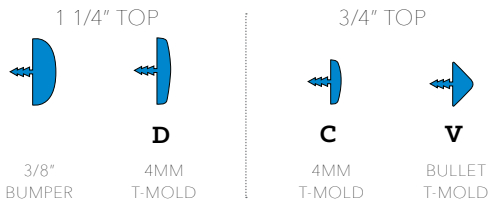
Our Interchange[®] Diamond Desk offers ample leg-to-leg space while functioning as a collaborative workspace for each student. The Diamond Desk, in a group of 3 creates a half-circle, while a group of 6 creates a full circle collaborative workspace.

MATERIALS

The WORK SURFACE consists of a 45 lb density particle board core with a 0.030" high pressure laminated surface and a 0.020" melamine backer sheet. The edge of the work surface features a t-mold edge that is mechanically fastened to the underside of the work surface every 6 to 8 inches to assure a long lasting fit. 1 1/4" or 3/4" thick top.

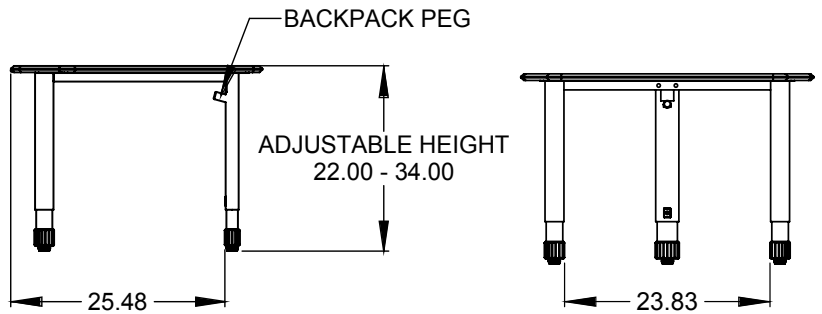
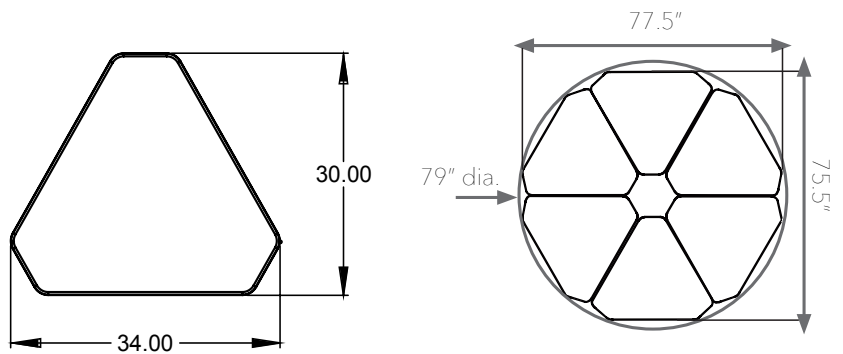
The FRAME consists of three fully welded segments. Ellipse shaped tubes measure 1.5" x 2.5". 16-gauge leg inserts and leg stems are welded to 14-gauge plates. Top is predrilled to attach legs using included fasteners. Legs include a 1" adjustable leveling glide with a locking stop to provide stability on uneven floors and also has built-in backpack hook.

INTERCHANGE[®] TOP & EDGE PROFILE



DIMENSIONS

Model	Description	D"	W"	H"	F.C.	Cube	WT
03082	Diamond Single-Student Desk	30	34	22-34	70	2.7	49
	Shipping Dimensions	36.5	31.125	1.5			



Structural Framing prevents wobbly legs and contributes to a longer service life.



STANDARD LAMINATE OPTIONS

Want to specify a different laminate?

No problem. If you have 20 or more tops of the same color -60 or -38 there is no upcharge. Have 20 or less? We can quote for you with the Wilsonart code and - finish style. We can specify other laminates - call to inquire and get a quote.



SUGGESTED LAMINATE OPTIONS



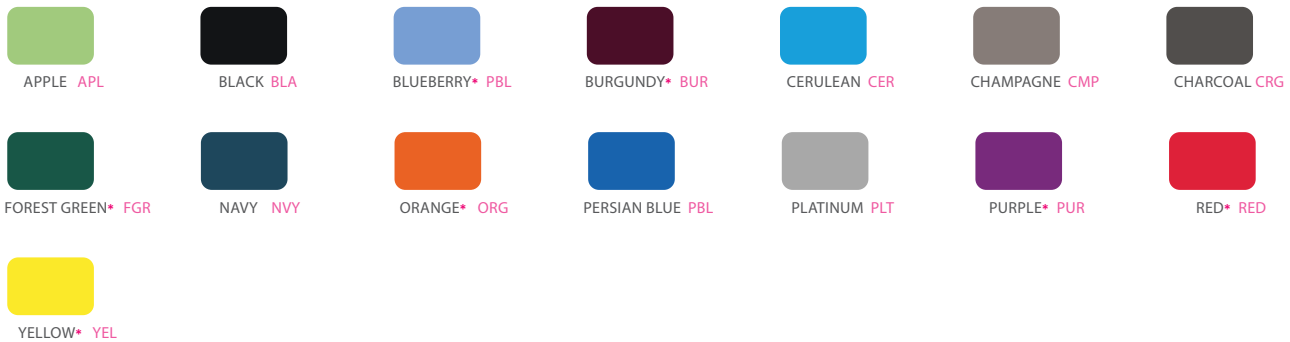
All 15 of the standard laminates are -60 finish, if you need to match a laminate from a previous year, please let us know on your order (example Pewter Mesh 4878-38, our standard is -60).

When the WilsonArt Laminate code includes a "Y", "K", "-12", "-78", "Aeon" etc, these are special laminates with an upcharge, even when it contains -38 or -60.

Classic Standard Laminates:



STANDARD EDGE COLOR OPTIONS *Additional Lead Time



LEG COLOR OPTIONS

