



Interchange® Desks

Mini-Diamond Desk

MODEL#: 03083



OVERVIEW

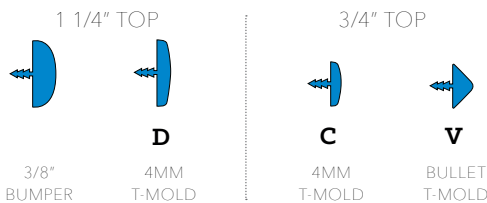
Our Interchange® Mini Diamond Desk offers ample leg-to-leg space while functioning as a collaborative workspace for each student. The Mini Diamond is slightly smaller than the regular Diamond Desk, which allows more room for collaboration in the classroom.

MATERIALS

The WORK SURFACE consists of a 45 lb density particle board core with a 0.030" high pressure laminated surface and a 0.020" melamine backer sheet. The edge of the work surface features a t-mold edge that is mechanically fastened to the underside of the work surface every 6 to 8 inches to assure a long lasting fit. 1 1/4" or 3/4" thick top.

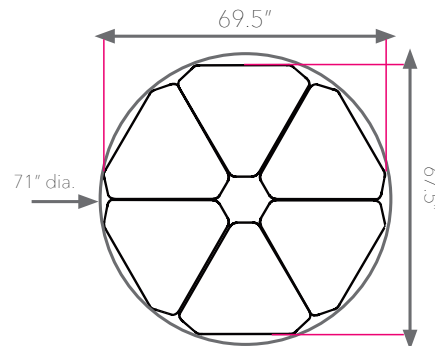
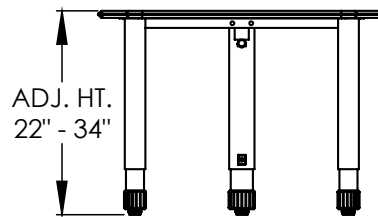
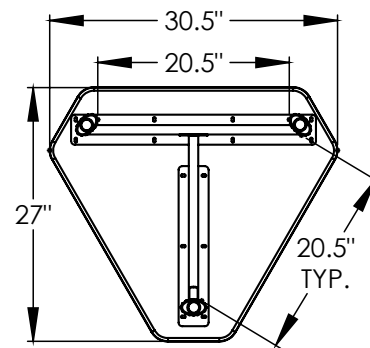
The FRAME consists of three fully welded segments. Ellipse shaped tubes measure 1.5" x 2.5". 16-gauge leg inserts and leg stems are welded to 14-gauge plates. Top is predrilled to attach legs using included fasteners. Legs include a 1" adjustable leveling glide with a locking stop to provide stability on uneven floors and also has built-in backpack hook.

INTERCHANGE® TOP & EDGE PROFILE



DIMENSIONS

| Model | Description | D" | W" | H" | F.C. | Cube | WT |
|-------|----------------------------------|----|------|-------|------|------|----|
| 03083 | Mini-Diamond Single-Student Desk | 27 | 30.5 | 22-34 | 70 | 2.7 | 42 |



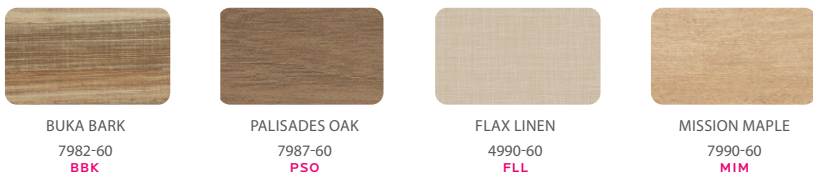
STANDARD LAMINATE OPTIONS

Want to specify a different laminate?

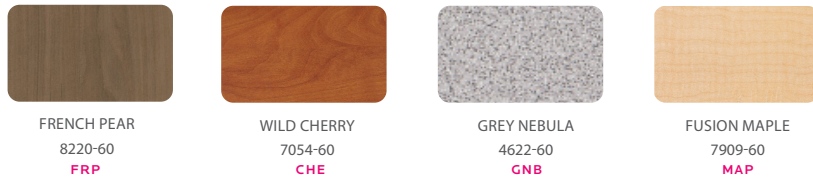
No problem. If you have 20 or more tops of the same color -60 or -38 there is no upcharge. Have 20 or less? We can quote for you with the Wilsonart code and - finish style. We can specify other laminates - call to inquire and get a quote.



SUGGESTED LAMINATE OPTIONS



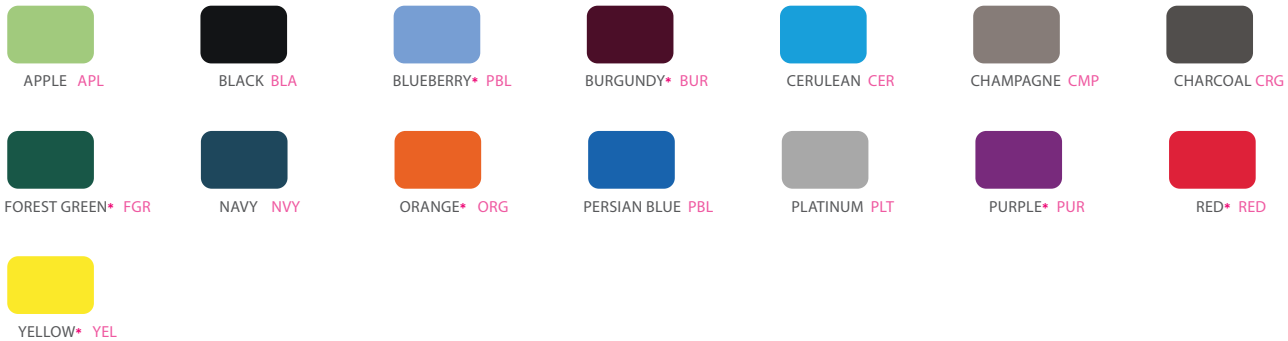
Classic Standard Laminates:



All 15 of the standard laminates are -60 finish, if you need to match a laminate from a previous year, please let us know on your order (example Pewter Mesh 4878-38, our standard is -60).

When the WilsonArt Laminate code includes a "Y", "K", ".12", "-78", "Aeon" etc, these are special laminates with an upcharge, even when it contains -38 or -60.

STANDARD EDGE COLOR OPTIONS *Additional Lead Time



LEG COLOR OPTIONS

