



Interchange® Desks

20"x 36" Rectangle Student Desk

MODEL#: 04082



Model #04080
20"x 27" shown

OVERVIEW

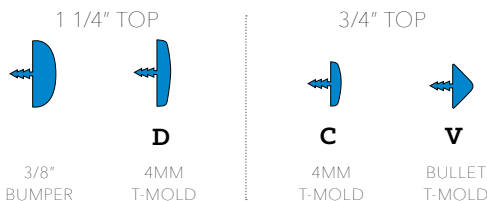
This versatile, contemporary student desk provides solid functionality and matches the look of the Interchange® Line. The Interchange® Desk is ideal for individual or group work in a traditional classroom setting. The spacious work surface provides ample space for work of all kinds

MATERIALS

The WORK SURFACE consists of a 45 lb density particle board core with a 0.030" high pressure laminated surface and a 0.020" melamine backer sheet. The edge of the work surface features a t-mold edge that is mechanically fastened to the underside of the work surface every 6 to 8 inches to assure a long lasting fit.

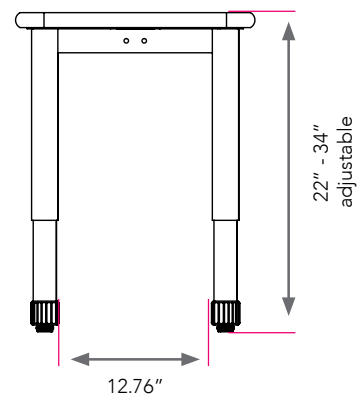
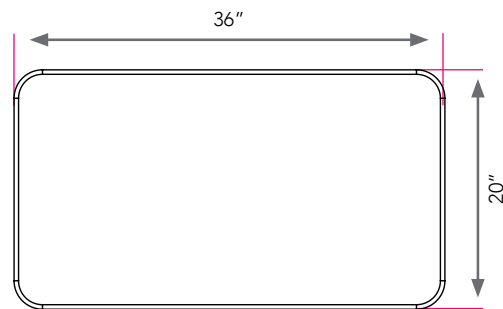
The FRAME top plates are 14 gauge steel, each welded to a 14 gauge 1"x1" tube. Ellipse shaped tubes measure 1.5" x 2.5". 16-gauge leg inserts and leg stems are welded to 14 gauge plates. The top is pre-drilled for ease of assembly, attach legs using included fasteners. Legs include 1" adjustable leveling glides with a locking stop to provide stability on uneven floors.

INTERCHANGE® TOP & EDGE PROFILE



DIMENSIONS

Model	Description	D"	W"	H"	F.C.	Cube	WT
04082	Interchange® Rectangle Single-Student Desk	20	36	22-34	70	1.5	58



Make it mobile with 3" casters

Order Model 17576

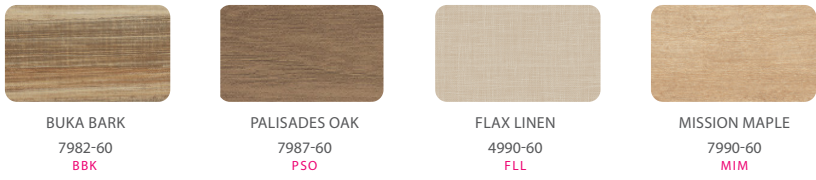
STANDARD LAMINATE OPTIONS

Want to specify a different laminate?

No problem. If you have 20 or more tops of the same color -60 or -38 there is no upcharge. Have 20 or less? We can quote for you with the Wilsonart code and - finish style. We can specify other laminates - call to inquire and get a quote.



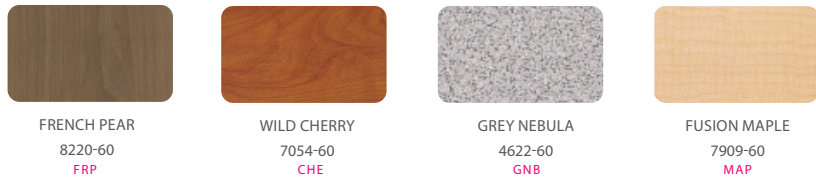
SUGGESTED LAMINATE OPTIONS



All 15 of the standard laminates are -60 finish, if you need to match a laminate from a previous year, please let us know on your order (example Pewter Mesh 4878-38, our standard is -60).

When the WilsonArt Laminate code includes a "Y", "K", "-12", "-78", "Aeon" etc, these are special laminates with an upcharge, even when it contains -38 or -60.

Classic Standard Laminates:



STANDARD EDGE COLOR OPTIONS



LEG COLOR OPTIONS

