



**OVERVIEW**

The Interchange Open Front Desk combines the spacious flexibility of our Interchange Student Desks with the convenience of built-in bookboxes. The Interchange Open Front Desk is available in both 3/4" and 1 1/4" thick work surface (see top & edge profiles).

**MATERIALS**

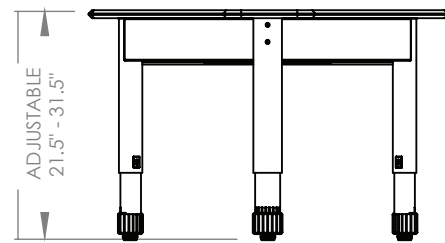
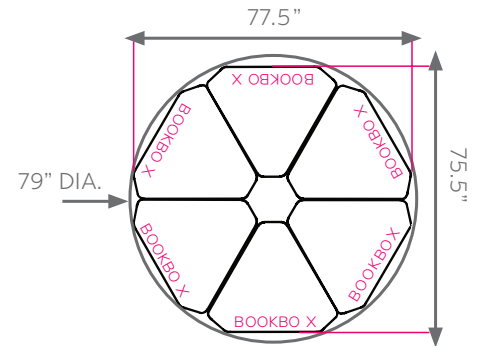
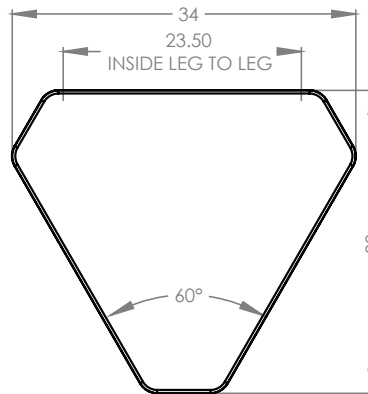
The work surface consists of a 45 lb density particle board core with a 0.030" high pressure laminated surface and a 0.020" melamine backer sheet. The edge of the work surface features a t-mold edge that is mechanically fastened to the underside of the work surface every 6 to 8 inches to assure a long lasting fit. 1 1/4" or 3/4" thick top.

The legs have a rugged powdercoat finish that resists wear. The lower leg is constructed of 16-gauge steel and is chrome plated to resist scuffing. The sock style glide caps add protection against scratching floors and provide stability on uneven surfaces with their 1" adjustable leveling glides. Tabletop and legs are supported by one or more 2" x 3" channels with four breakovers for optimum strength.

The bookbox is constructed of 18-gauge formed and welded steel. The box features a convenient, integrated pencil retainer. The legs are simply, but securely fastened to the bookbox via 2 bolts per leg.

**DIMENSIONS**

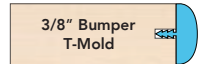
Model	Description	D"	W"	H"	WT
04504	Interchange Diamond Open Front Desk	30	34	22-32	58



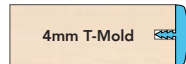
21.5" - 31.5" height (3/4" thick work surface)  
22" - 32" height (1 - 1/4" thick work surface)

**TOP AND EDGE OPTIONS**

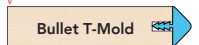
1 1/4" TOP W/ BUMPER T-MOLD  
NO LETTER TO FOLLOW MODEL NO.



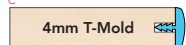
1 1/4" TOP W/ 4MM T-MOLD  
D



3/4" TOP W/ BULLET T-MOLD  
V



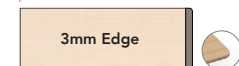
3/4" TOP W/ 4MM T-MOLD  
C



1 1/4" TOP W/ 3MM - 90° CORNERS  
H



1 1/4" TOP W/ 3MM - ROUND CORNERS  
F



3/4" TOP W/ 3MM - 90° CORNERS  
E



3/4" TOP W/ 3MM - ROUND CORNERS  
G



## STANDARD LAMINATE OPTIONS

Want to specify a different laminate?






No problem. If you have 20 or more tops of the same color -60 or -38 there is no upcharge. Have 20 or less? We can quote for you with the Wilsonart code and - finish style. We can specify other laminates - call to inquire and get a quote.



## SUGGESTED LAMINATE OPTIONS

						
ASIAN NIGHT 7949-60	BOARDWALK OAK 7983-60	BUKA BARK 7982-60	CLASSIC LINEN 4943-60	FLAX LINEN 4990-60	FRENCH PEAR 8220-60	FUSION MAPLE 7909-60
						
GREY NEBULA 4622-60	HIGH RISE 4996-60	MISSION MAPLE 7990-60	NEW AGE OAK 7938-60	NORTH SEA GRAY D90-60	PALISADES OAK 7987-60	PEWTER MESH 4878-60
	All 15 of the standard laminates are -60 finish, if you need to match a laminate from a previous year, please let us know on your order (example Pewter Mesh 4878-38, our standard is -60).					When the WilsonArt Laminate code includes a "Y", "K", "-12", "-78", "Aeon" etc, these are special laminates with an upcharge, even when it contains -38 or -60.
WILD CHERRY 7054-60						

## STANDARD EDGE COLOR OPTIONS

			
APPLE	BLACK	CERULEAN	CHARCOAL
			
NAVY	PERSIAN BLUE	PLATINUM	

## LEG COLOR OPTIONS

	
BLACK	PLATINUM

## EDGE COLOR OPTIONS WITH ADDITIONAL LEAD TIME

			
BLUEBERRY	BURGUNDY	CHAMPAGNE	FOREST GREEN
			
ORANGE	PURPLE	RED	YELLOW