



OVERVIEW

The optional Cascade Laptop Shelf, model 17670 is a great add-on to any Cascade unit equipped with a riser shelf. Easily access the shelf by pulling the handles and revealing 20 inches of travel outward.

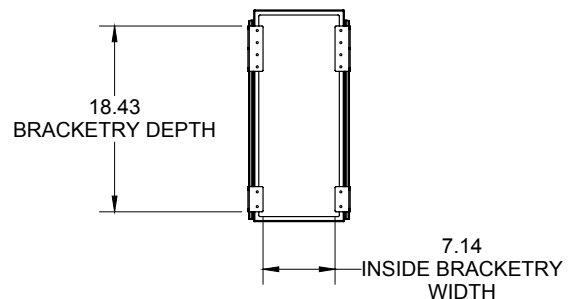
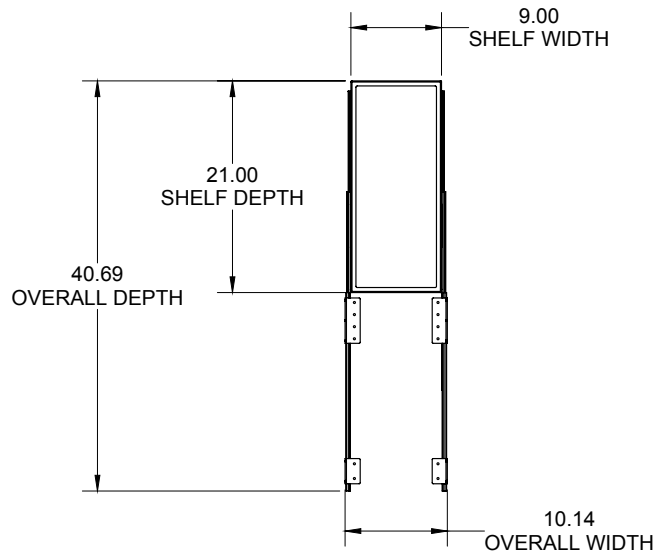
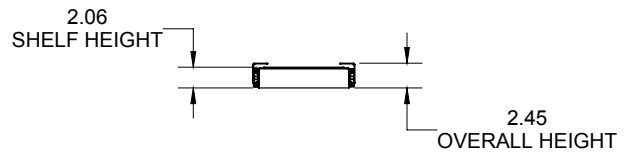
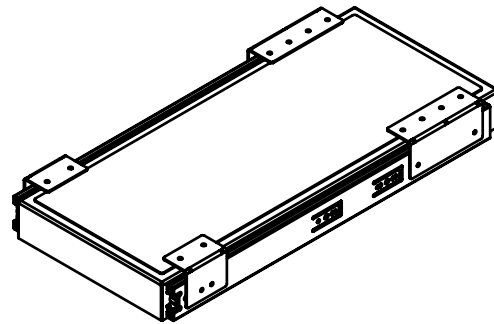
MATERIALS

The shelf is made from 18-gauge steel and mounts to the underside of the Cascade riser shelf. Mounting is secured with four attached 14-gauge steel, chrome plated brackets. The shelf has a closed-cell foam pad surface, providing a soft resting place for a laptop. Also, this foam pad surface will not absorb water.

When not in use, the track allows the laptop shelf to tuck under the riser shelf. When the shelf is needed, the extendable brackets allow the shelf to have 20 inches of usable work surface.

DIMENSIONS

Model	Description	D"	W"	H"	WT
17670	Laptop shelf	21	10	2.5	6



STANDARD HANDLE COLOR OPTIONS



APPLE



BLACK



CERULEAN



NAVY



PERSIAN BLUE



PLATINUM

FRAME COLOR OPTION



PLATINUM

HANDLE COLOR OPTIONS WITH ADDITIONAL LEAD TIME



BLUEBERRY



BURGUNDY



FOREST GREEN



ORANGE



PURPLE



RED



YELLOW