



planner huddle-8LS student desk

MODEL #: 01267

HUDDLE-8LS STUDENT DESK (7' 3" CIRCLE)

DIMENSIONS + FREIGHT

MODEL #	D"	W"	H"	F.C.	CUBE	WEIGHT
01267	24"	31"	22" - 32"	70	1.4	42 lbs.
carton	38"	26"	6"			

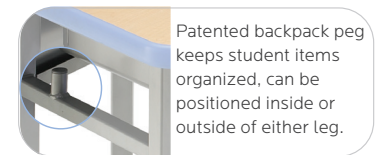
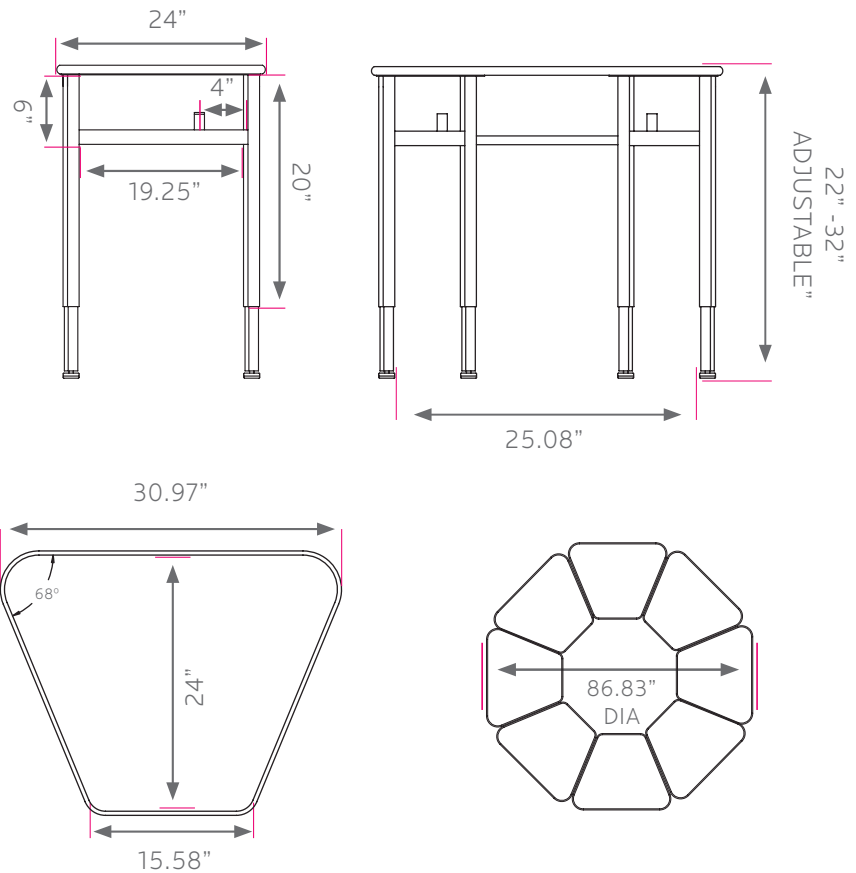
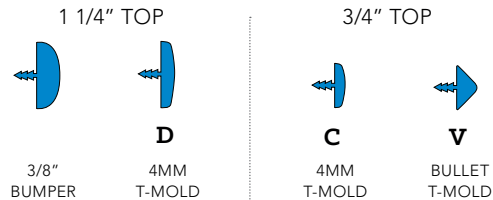
OVERVIEW

The Huddle-8 LS desks' unique trapezoid shape lends flexibility to instructors to create and rearrange classroom layouts throughout the day. Place desks back to back for testing arrangements or group multiple desks together in a circle for collaborative learning.

The 1 1/4" or 3/4" thick WORK SURFACE consists of a 45 lb density particle board core with a .030" high pressure laminated surface and a .020" melamine backer sheet. The edge of the work surface features bumper edge molding that is fastened every 6 to 8 inches to assure a long lasting fit. The top is pre-drilled for ease of installation.

The FRAME consists of 2 corner post leg sets, each leg set consisting of (2) 1 1/4" square 14-gauge tube legs, (2) 1" square 14-gauge steel tube chrome inserts, (1) 1" square 14-gauge steel cross-bar with (1) 7/8" diameter 1 1/2"h back pack peg and a 14-gauge steel plate. Legs adjust in 1" intervals from 22" -32" high. Leg sets are attached together at the rear with a 6" high, 18-gauge steel panel. Legs have 1" adjusting leveling glides.

HUDDLE DESK TOP & EDGE PROFILE



Huddle Frame Color Options



BLACK
BLA



PLATINUM
PLT

Standard Laminate Options

Want to specify a different laminate?

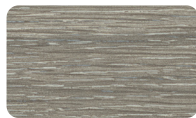
No problem. If you have 20 or more tops of the same color -60 or -38 there is no upcharge. Have 20 or less? We can quote for you with the Wilsonart code and – finish style. We can specify other laminates – call to inquire and get a quote.



Suggested Standard Laminates:



ASIAN NIGHT
7949-60
ANG



BOARDWALK OAK
7983-60
BWK



PEWTER MESH
4878-60
PEW



CLASSIC LINEN
4943-60
CLN



HIGH RISE
4996-60
HRE



BUKA BARK
7982-60
BBK



PALISADES OAK
7987-60
PSO



FLAX LINEN
4990-60
FLL

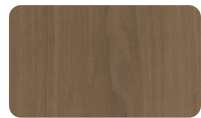


MISSION MAPLE
7990-60
MIM



NEW AGE OAK
7938-60
NEW

Classic Standard Laminates:



FRENCH PEAR
8220-60
FRP



WILD CHERRY
7054-60
CHE



GREY NEBULA
4622-60
GNB



FUSION MAPLE
7909-60
MAP

All 14 of the standard laminates are -60 finish, if you need to match a laminate from a previous year, please let us know on your order (example Pewter Mesh 4878-38, our standard is -60).

When the WilsonArt Laminate code includes a "Y", "K", "-12" "-78", "Aeon" etc, these are special laminates with an upcharge, even when it contains -38 or -60.

Standard Edge Color Options



APPLE A



BLACK B



BLUEBERRY C



BURGUNDY D



CERULEAN S



CHAMPAGNE O



CHARCOAL R



CHOCOLATE Q



CLEMENTINE E



FOREST GREEN F



FUCHSIA G



MINT H



MOCHA T



NAVY I



ORANGE U



PERSIAN BLUE J



PLATINUM P



PURPLE K



RED L



YELLOW N