



# silhouette curve

adjustable height w/ glide

MODEL #: 01653

## DIMENSIONS + FREIGHT

| MODEL # | D"  | W"  | H"      | F.C. | CUBE | WEIGHT  |
|---------|-----|-----|---------|------|------|---------|
| 01653   | 21" | 29" | 19"-31" | 70   | 1.2  | 36 lbs. |
| carton  | 24" | 34" | 7"      |      |      |         |


## OVERVIEW

Shipped ready to assemble, these desks have a heavy-duty work surface that won't sag under heavy books or equipment. The Silhouette Curve Desk is great for rows, pairs, or collaborative pods for learning in groups.

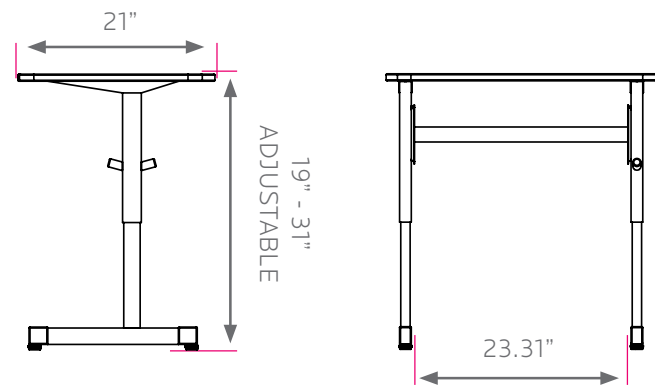
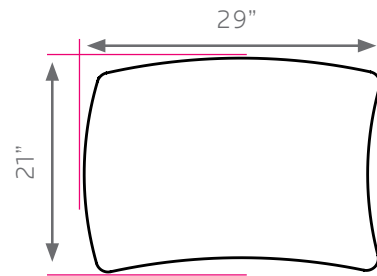
The WORK SURFACE consists of a 45 lb density particle board core with a .030" high pressure laminated surface and a .020" melamine backer sheet. The edge of the work surface features 3/8" bumper edge molding that is fastened every 6 to 8 inches to assure a long lasting fit. The frame is attached to the pre-drilled holes in the top with (6) #10 screws through a 1" x 1.75" 18-gauge steel channel. The mounting channel is welded to a 1" x 2" rectangular 16-gauge steel tube leg. The leg inserts are 1" x 1.75" 16-gauge steel tube and are adjustable in height from 19" to 31". Model 01653 comes standard with a lockable endcap/glide combination. The legs are tied together for added strength with a 1" x 2" 16-gauge steel tube stretcher bar and (4) bolts.

## OPTIONAL ACCESSORIES

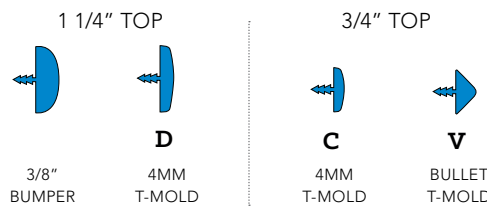
| MODEL # |                    | D"    | W"    | H"   | F.C. | CUBE | WEIGHT  |
|---------|--------------------|-------|-------|------|------|------|---------|
| 17190   | steel bookbox      | 15"   | 20"   | 4"   | 70   | 3.0  | 8 lbs.  |
| 17200   | wire book-basket   | 15"   | 18"   | 3.5" | 70   | 3.0  | 5 lbs.  |
| 30925   | SW tray w/ housing | 16.8" | 13.5" | 3"   | 70   | 1.2  | 8 lbs.  |
| 30926   | EW tray w/ housing | 16.8" | 19.6" | 3"   | 70   | 1.2  | 10 lbs. |



**Make it mobile with casters**  
Order Model 17576



## SILHOUETTE TOP & EDGE PROFILE



## Silhouette Frame Color Options



BLACK  
BLA



PLATINUM  
PLT

## Standard Laminate Options

Want to specify a different laminate?

No problem. If you have 20 or more tops of the same color -60 or -38 there is no upcharge. Have 20 or less? We can quote for you with the Wilsonart code and – finish style. We can specify other laminates – call to inquire and get a quote.



Suggested Standard Laminates:



ASIAN NIGHT  
7949-60  
ANG



BOARDWALK OAK  
7983-60  
BWK



PEWTER MESH  
4878-60  
PEW



CLASSIC LINEN  
4943-60  
CLN



HIGH RISE  
4996-60  
HRE



BUKA BARK  
7982-60  
BBK



PALISADES OAK  
7987-60  
PSO



FLAX LINEN  
4990-60  
FLL

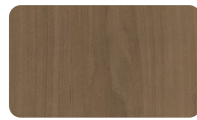


MISSION MAPLE  
7990-60  
MIM



NEW AGE OAK  
7938-60  
NEW

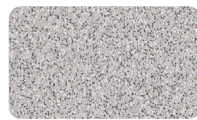
Classic Standard Laminates:



FRENCH PEAR  
8220-60  
FRP



WILD CHERRY  
7054-60  
CHE



GREY NEBULA  
4622-60  
GNB



FUSION MAPLE  
7909-60  
MAP

All 14 of the standard laminates are -60 finish, if you need to match a laminate from a previous year, please let us know on your order (example Pewter Mesh 4878-38, our standard is -60).

When the WilsonArt Laminate code includes a "Y", "K", "-12" "-78", "Aeon" etc, these are special laminates with an upcharge, even when it contains -38 or -60.

## Standard Edge Color Options



APPLE A



BLACK B



BLUEBERRY C



BURGUNDY D



CERULEAN S



CHAMPAGNE O



CHARCOAL R



CHOCOLATE Q



CLEMENTINE E



FOREST GREEN F



FUCHSIA G



MINT H



MOCHA T



NAVY I



ORANGE U



PERSIAN BLUE J



PLATINUM P



PURPLE K



RED L



YELLOW N