



planner trespa

48" x 60" science table

MODEL #: 25725

DIMENSIONS + FREIGHT

MODEL #	D"	W"	H"	F.C.	CUBE	WEIGHT
25725	48"	60"	24" - 34"	70	5.8	240 lbs.

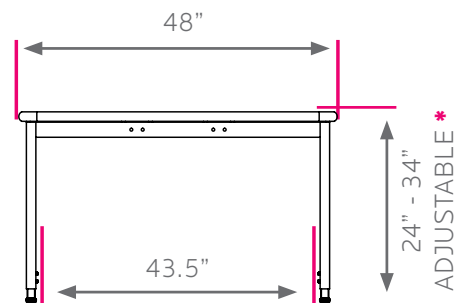
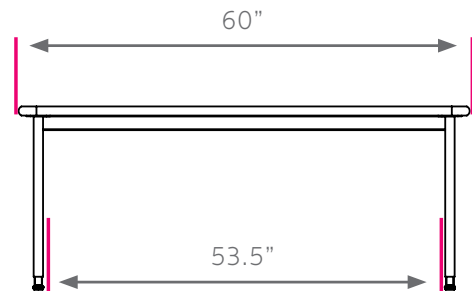
OVERVIEW

The Planner™ Trespa® Science table is ideal for science and STEM classrooms. The heavy duty construction contributes to a sturdy work surface that can hold 400 pounds. In an environment where hygiene and avoidance of contamination is key, Trespa® TopLab PLUS® provides an ideal choice. Thanks to its unique closed surface composition, the product shows significantly low dirt pick up, is impervious to mold and rot and is resistant to non-abrasive organic cleaning solvents - thus making the product easy to clean and disinfect. The Planner Activity table is shipped ready to assemble.

MATERIALS

The ½" thick WORK SURFACE consists of Trespa® TopLab PLUS® material, which is resistant to a large number of aggressive chemicals as identified by SEFA (Scientific Equipment and Furniture Association) and PSI (Professional Services Industries), if cleaned within 24 hours. Trespa® TopLab PLUS® has inherent anti-bacterial properties without the addition of microbial additives. An independent test by British Industrial Microbiological Services Ltd. (IMSL) shows an almost complete elimination of certain bacteria after 24 hours.

The FRAME consists of two fully welded leg segments and a center support channel. The legs are attached to the pre-drilled holes in the top with #10 x 7/16" plastite screws. (Using low drill setting 75% power), through a 3 1/8" w x 18" L 12-gauge steel mounting plate. The mounting plate is welded to (2) 1 1/4" square 12-gauge steel tube legs which is welded to a 1" x 2" 14-gauge steel tube cross bar. The leg inserts are 1" square 14-gauge steel tube and adjust in height from 24" to 34" in 1" increments. Leveling glides are on each table leg allowing for stability on uneven floors. The adjustment for each leg is secured with (2) 3 3/4" -16 x .675" Allen screws. The center support channel is 2" x 3" 14-gauge steel, with 11-gauge steel end plates for maximum stability. The center support channel is connected to the legs by (4) connector bolts.

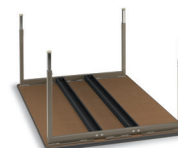


FRAME

- PLATINUM **PLT**
- BLACK **BLA**

TRESPA WORK SURFACE

- TRESPA BLACK **BLA**



42" & 48" deep Models
Two 2" x 3" 14-gauge steel support channels with 11-gauge steel endplates provide maximum stability.

TRESPA®



WWW.SMITHSYSTEM.COM

Smith System®

MODEL 25725 - JUNE 2018