



elemental 48" round

MODEL #: EL48RD_ _ _ _ EG

DIMENSIONS + FREIGHT

MODEL	DESCRIPTION	LEG TYPE	LEG #	D"	W"	H"	F.C.	CUBE	WT.
Round models									
EL48RD_ _ _ _ EG	Round Table	Fixed Height	4 Legs	48" diameter	30	70	2.6	79	
EL48RD_ _ _ _ EC*	Round Table	Fixed Height for Caster	4 Legs	48" diameter	27**	70	2.6	83	
EL48RD_ _ _ _ EA	Round Table	Adjustable Height	4 Legs	48" diameter	19-33	70	2.6	82	

* REMINDER: Casters sold separately.

**3" Casters make table height 30"

BUILD PART NUMBER

EL 4 8 R D 7 8 9 10 11 12 13 14 15
 or E8 Choose MODEL Pick Laminate Color Pick Edge Color Pick Leg Color Pick Leg Style
 Fixed-height with Glide (EG) leg set is standard.

OVERVIEW

Elemental tables have optional colored casters and matching colored leg sets. The unique colored legs comes in four configurations; fixed height (EG), adjustable height (EA), fixed height for use with casters (EC), or low range adjustable (EL).

MATERIALS

The 1 1/4" thick WORK SURFACE consists of a 45 lb density particle board core with a 0.030" high pressure laminated surface and a 0.020" melamine backer sheet. The edge of the tabletop features your choice of a 3/8" bumper t-mold or 4mm t-mold, which is then fastened to the underside of the work surface every 6 to 8 inches to assure a long lasting fit. Mounted under the work surface is a 14 gauge steel 'X' shaped STIFFENER for reinforcement.

LEG STYLE 14 15

1. "EG" - Fixed-Height 30"
2. "EC" - Fixed-Height 27" ** (use w/ 3" casters = 30"H).
3. "EA" - Adjustable Height 19" - 33" (with glides)
4. "EL" - Low Range Adjustable 11"-17" (with glides)

The Elemental LEG SETS are constructed of 14-gauge steel with a durable powdercoat paint finish in one of five colors. The legs are reinforced by a gusseted, 'spade' shaped, mounting plate. Each one of the 4 legs attach to the pre-drilled holes in the top with 10 #10 x 5/8" screws per leg. Legs come standard with a nylon base glide.

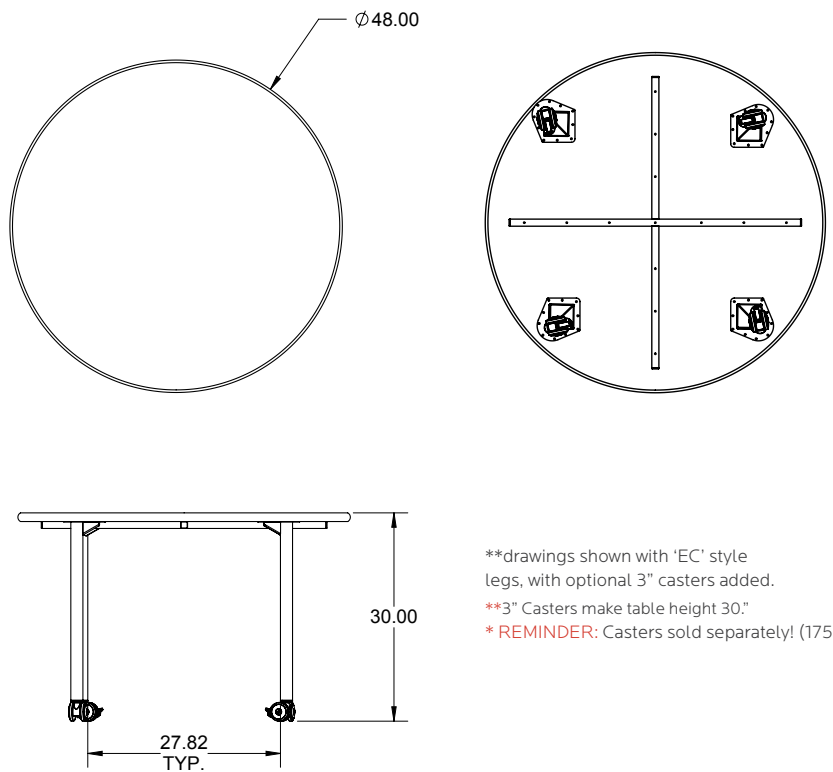
OPTIONAL dual-wheel 3" casters available as a separate line item, 48" Round Table uses 4-pack, Model 17576 for black, 17577 _ _ _ for colors: platinum, orange, cerulean, charcoal or apple.

ADD COLORED CASTERS

Model 17577 _ _ _ (4-pack)



* REMINDER: Casters sold separately! (17577 _ _ _ [4-pack])



**drawings shown with 'EC' style legs, with optional 3" casters added.
 **3" Casters make table height 30"
 * REMINDER: Casters sold separately! (17577 _ _ _)

LEG STYLE: 14 15



Elemental Tables have optional colored casters and matching colored legsets.

Standard Laminate Options



EL or E8

4 8 R D
Choose MODEL

7 8 9
Pick Laminate Color

10
Pick Edge Color

11 12 13
Pick Leg Color

14 15
Pick Leg Style

Fixed-height with Glide (EG) leg set is standard.

Want to specify a different laminate?

No problem. If you have 20 or more tops of the same color -60 or -38 there is no upcharge. Have 20 or less? We can quote for you with the Wilsonart code and - finish style. We can specify other laminates - call to inquire and get a quote.



Suggested Standard Laminates: 7 8 9



Classic Standard Laminates:



All 14 of the standard laminates are -60 finish, if you need to match a laminate from a previous year, please let us know on your order (example Pewter Mesh 4878-38, our standard is -60).

When the WilsonArt Laminate code includes a "Y", "K", "-12" "-78", "Aeon" etc, these are special laminates with an upcharge, even when it contains -38 or -60.

Standard Edge Color Options 10



Elemental Leg Style 14 15



**3" Casters make table height 30."
* REMINDER: Casters sold separately! (17578 _ _ _)

LEG STYLE:

- "EG" - Fixed-Height 30"
- "EC" - Fixed-Height 27"
(use w/ 3" casters = 30"H).
- "EA" - Adjustable Height (19" - 33" w/ glides) (21.5" - 35.5" w/ 3" casters)
- "EL" - Low Range Adjustable (11" - 17" w/ glides) (13.5" - 19.5" w/ 3" casters)

Elemental Leg Colors 11 12 13

