



cascade mega-tower cubby unit

MODEL #: F1100000P_ MODEL #: F2100000P_

MEGA-TOWER CUBBY

DIMENSIONS + FREIGHT

MODEL #		D"	W"	H"	F.C.	WEIGHT
F1100000P_	open, 12 cubby	19"	43"	61.4"	100	135 lbs.
F2100000P_	doors, 12 cubby	19"	43"	61.4"	100	154 lbs.

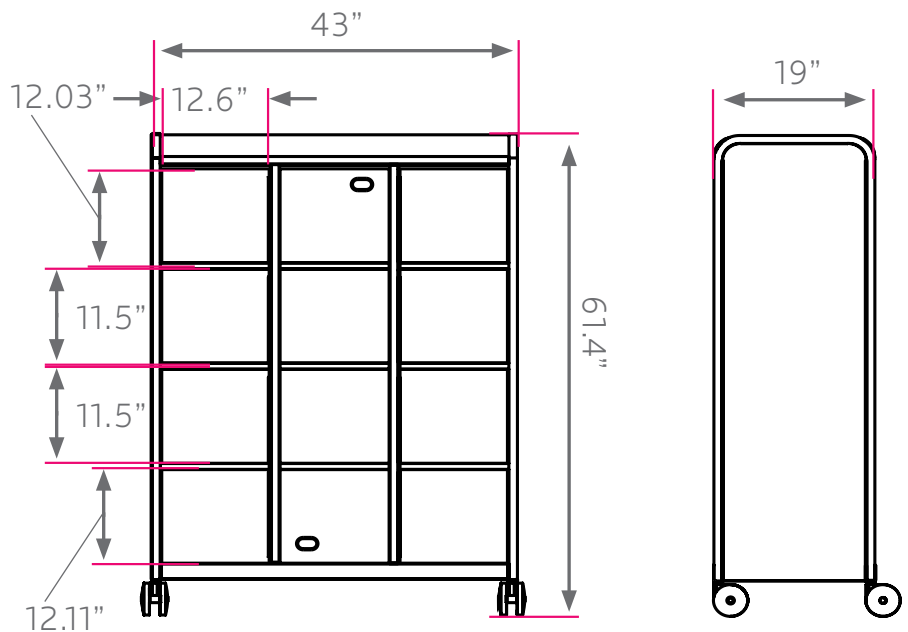
OVERVIEW

Featuring twelve compartments and a selection of nineteen beautiful finish colors, the Cascade Cubby offers an open-shelf layout with easy access for maximizing storage in any classroom setting. The powder coated all steel construction maximizes durability guarantying many years of service.

MATERIALS

The END PANELS are made of 18-gauge 1" square tubing, welding flush to an 18-gauge end panel. The inside of each end panel is reinforced by 22-gauge hat channels. These hat channels are dual-purpose: added strength and for tote rail shelf mounting. The dome top is 18-gauge formed and welded construction, bolted to each end panel and rear panel with a total of ten machine screw fasteners. The base is a durable 18-gauge steel construction formed and welded to support the entire weight of the unit squarely. Underneath is a heavy welded hat channel for reinforcement. The base shelf is attached to both end panels using four machine screw fasteners. The rear panel is 18-gauge steel reinforced with up to three vertical hat channels. Two grommet holes (a lower and an upper) are punched for convenient wire management and electronic storage. The 18-gauge cubby dividers bolt to the 16-gauge center supports that are bolted to the dome supports and hat channels. Casters are 5" in diameter, with two locking. Optional glides are 3/8" threaded stem.

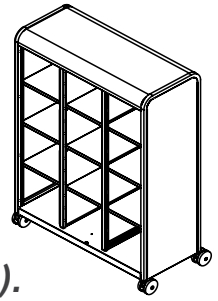
The OPTIONAL DOORS include a secure and reliable locking mechanism, which engages lock rods into the dome top and the base shelf. Doors also come with urethane ergonomic and modern door handles of your color choice. The fully hinged doors articulate 270°, free of obstruction.



Cascade Frame



PLATINUM



***(Cascade Riser Shelves not available on Cascade 'Towers' due to height).**

Standard Laminate Options *(Cascade Riser Shelves)

Want to specify a different laminate?

No problem. If you have 20 or more tops of the same color -60 or -38 there is no upcharge. Have 20 or less? We can quote for you with the Wilsonart code and – finish style. We can specify other laminates – call to inquire and get a quote.



Suggested Standard Laminates:



ASIAN NIGHT
7949-60
ANG



BOARDWALK OAK
7983-60
BWK



PEWTER MESH
4878-60
PEW



CLASSIC LINEN
4943-60
CLN



HIGH RISE
4996-60
HRE



BUKA BARK
7982-60
BBK



PALISADES OAK
7987-60
PSO



FLAX LINEN
4990-60
FLL



MISSION MAPLE
7990-60
MIM



NEW AGE OAK
7938-60
NEW

Classic Standard Laminates:



WILD CHERRY
7054-60
CHE



GREY NEBULA
4622-60
GNB



FUSION MAPLE
7909-60
MAP

All 13 of the standard laminates are -60 finish, if you need to match a laminate from a previous year, please let us know on your order (example Pewter Mesh 4878-38, our standard is -60).

When the WilsonArt Laminate code includes a "Y", "K", "-12" "-78", "Aeon" etc, these are special laminates with an upcharge, even when it contains -38 or -60.

Cascade End Panel Color Options



APPLE **A**



BLACK **B**



BLUEBERRY **C**



BURGUNDY **D**



CERULEAN **S**



CHARCOAL **R**



CHOCOLATE **Q**



CLEMENTINE **E**



FOREST GREEN **F**



FUCHSIA **G**



MINT **H**



MOCHA **T**



NAVY **I**



ORANGE **U**



PERSIAN BLUE **J**



PLATINUM **P**



PURPLE **K**



RED **L**



YELLOW **N**