



planner lab station

24" x 60" rectangle

MODEL #: 24510

TWO-STUDENT PLANNER LAB 24" X 60"

DIMENSIONS + FREIGHT

MODEL #	D"	W"	H"	F.C.	CUBE	WEIGHT
24510	24"	60"	22" - 32"	70	3.0	80 lbs.
carton	25.1"	63.25"	3"			

OVERVIEW

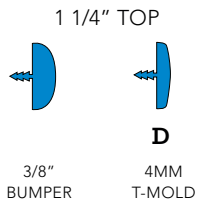
The Planner is a truly stronger student desk. Shipped ready to assemble, these desks have a heavy-duty work surface that won't sag under heavy books or equipment.

The 1 1/4" thick WORK SURFACE consists of a 45 lb density particle board core with a .030" high pressure laminated surface and a .020" melamine backer sheet. The edge of the work surface features 3/8" bumper edge molding that is fastened every 6 to 8 inches to assure a long lasting fit. The top has one or two arch shaped cutouts in the rear and is pre-drilled for ease of installation.

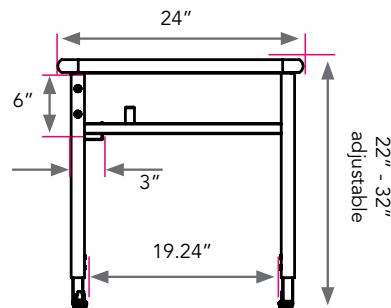
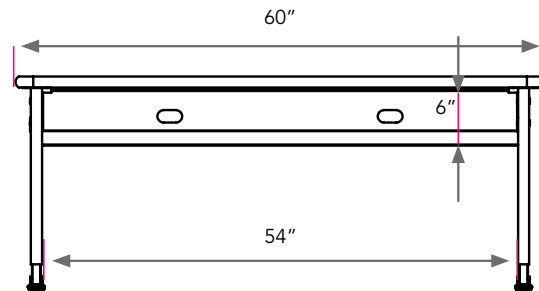
The FRAME is attached to the pre-drilled holes in the top with (12) #10 x 5/8" screws through a 3 1/8" W x 18" L 14-gauge steel mounting plate. The mounting plate is welded to (2) 1 1/4" square 14-gauge steel tube legs which are welded to a 1" square 14-gauge steel tube cross bar. The leg inserts are 1" square 14-gauge steel tube and adjust in height from 22" to 32" in 1" increments. The adjustment for each leg is secured with (2) 3 3/4"-16 x .675" Allen screws. The right and left leg both include the Smith System patented backpack peg allowing for either inside or outside positioning. Legs have 1" adjusting leveling glides.

WIRE MANAGEMENT includes a 3"d x 6"h wire tray mounted to the underside of the work surface with #10 x 3/4" screws. The tray also mounts to each leg using a total of 4 Connector bolts. Wire trays for tables under 60" wide have one grommet hole for wire management, 60" and wider have two grommet holes.

PLANNER LAB TOP & EDGE



Model 24510 24" x 60" shown in Black edge and Black frame, with optional monitor mounts, #17350.



Frame Color Options



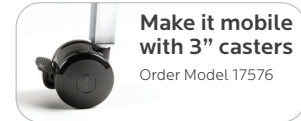
BLACK
BLA



PLATINUM
PLT



Optional monitor mount available at additional cost: order Model #17350.



Optional 3" casters available at additional cost: order Model #17576.

Standard Laminate Options

Want to specify a different laminate?

No problem. If you have 20 or more tops of the same color -60 or -38 there is no upcharge. Have 20 or less? We can quote for you with the Wilsonart code and - finish style. We can specify other laminates - call to inquire and get a quote.



Suggested Standard Laminates:



ASIAN NIGHT
7949-60
ANG



BOARDWALK OAK
7983-60
BWK



PEWTER MESH
4878-60
PEW



CLASSIC LINEN
4943-60
CLN



HIGH RISE
4996-60
HRE



BUKA BARK
7982-60
BBK



PALISADES OAK
7987-60
PSO



FLAX LINEN
4990-60
FLL

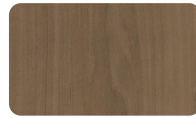


MISSION MAPLE
7990-60
MIM



NEW AGE OAK
7938-60
NEW

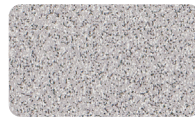
Classic Standard Laminates:



FRENCH PEAR
8220-60
FRP



WILD CHERRY
7054-60
CHE



GREY NEBULA
4622-60
GNB



FUSION MAPLE
7909-60
MAP

All 14 of the standard laminates are -60 finish, if you need to match a laminate from a previous year, please let us know on your order (example Pewter Mesh 4878-38, our standard is -60).

When the WilsonArt Laminate code includes a "Y", "K", "-12" "-78", "Aeon" etc, these are special laminates with an upcharge, even when it contains -38 or -60.

Standard Edge Color Options



APPLE A



BLACK B



BLUEBERRY C



BURGUNDY D



CERULEAN S



CHAMPAGNE O



CHARCOAL R



CHOCOLATE Q



CLEMENTINE E



FOREST GREEN F



FUCHSIA G



MINT H



MOCHA T



NAVY I



ORANGE U



PERSIAN BLUE J



PLATINUM P



PURPLE K



RED L



YELLOW N