



# Interchange® Desks

## Wing Desk Single-Student Desk

MODEL#: 03095



### OVERVIEW

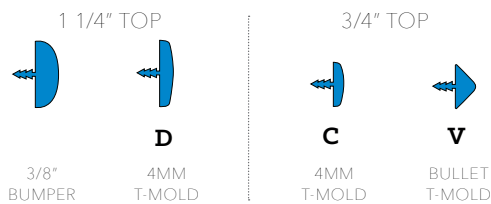
The Wing Desk is designed to work with any Smith System® seating option. Smith System® designers continue to update our Interchange® line of desking with a new option with the versatility to promote both individual and group work. It helps the student work alone by providing stable, ample workspace. It helps students work together by creating groups of four in a close space.

### MATERIALS

The WORK SURFACE consists of a 45 lb density particle board core with a 0.030" high pressure laminated surface and a 0.020" melamine backer sheet. The edge of the work surface features a t-mold edge that is mechanically fastened to the underside of the work surface every 6 to 8 inches to assure a long lasting fit. 1 1/4" or 3/4" thick top.

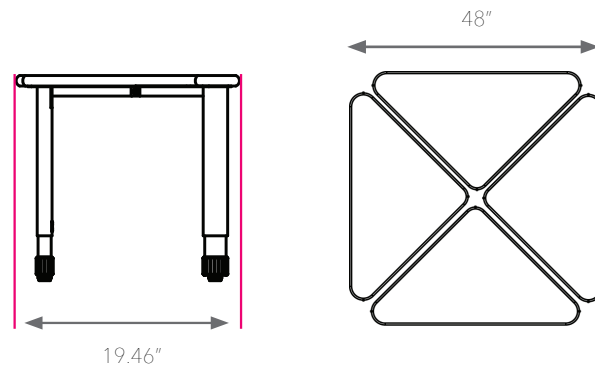
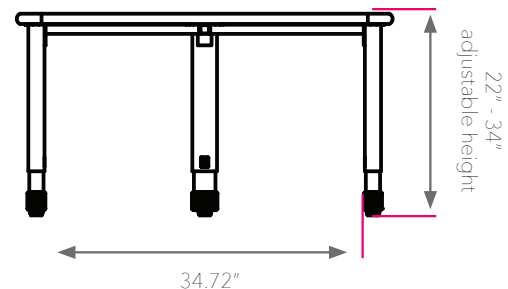
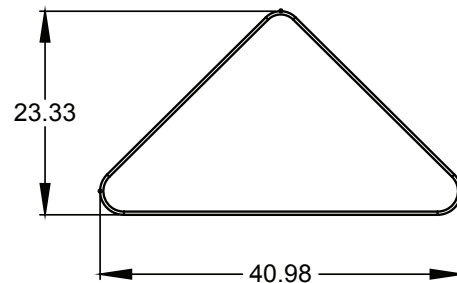
The FRAME consists of three fully welded segments. Ellipse shaped tubes measure 1.5" x 2.5". 16-gauge leg inserts and leg stems are welded to 14-gauge plates. Top is predrilled to attach legs using included fasteners. Legs include a 1" adjustable leveling glide with a locking stop to provide stability on uneven floors.

### INTERCHANGE® TOP & EDGE PROFILE



### DIMENSIONS

Model	Description	D"	W"	H"	F.C.	Cube	WT
03095	Interchange® Wing Desk	23.5	41	22-34	70	2.4	45
	Shipping Dimensions Box 1	30	30	3			
	Shipping Dimensions Box 2	26	26	5			



**STANDARD LAMINATE OPTIONS**

Want to specify a different laminate?

No problem. If you have 20 or more tops of the same color -60 or -38 there is no upcharge. Have 20 or less? We can quote for you with the Wilsonart code and - finish style. We can specify other laminates - call to inquire and get a quote.



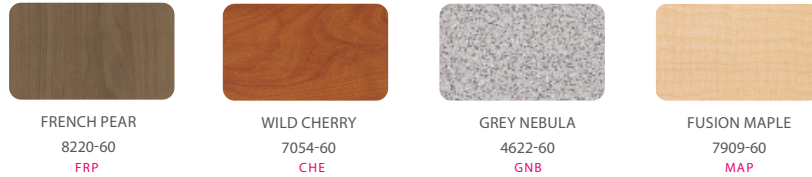
**SUGGESTED LAMINATE OPTIONS**



All 15 of the standard laminates are -60 finish, if you need to match a laminate from a previous year, please let us know on your order (example Pewter Mesh 4878-38, our standard is -60).

When the WilsonArt Laminate code includes a "Y", "K", "-12", "-78", "Aeon" etc, these are special laminates with an upcharge, even when it contains -38 or -60.

**Classic Standard Laminates:**



**STANDARD EDGE COLOR OPTIONS**



**LEG COLOR OPTIONS**

