



curl top lectern, bolt on

MODEL #: 00481

CURLED TOP LECTERN, BOLT-ON ATTACHMENT

DIMENSIONS & FREIGHT

MODEL #	D"	W"	H"	F.C.	WEIGHT
00481	14.5"	19"	4"	70	19 lbs.

OVERVIEW

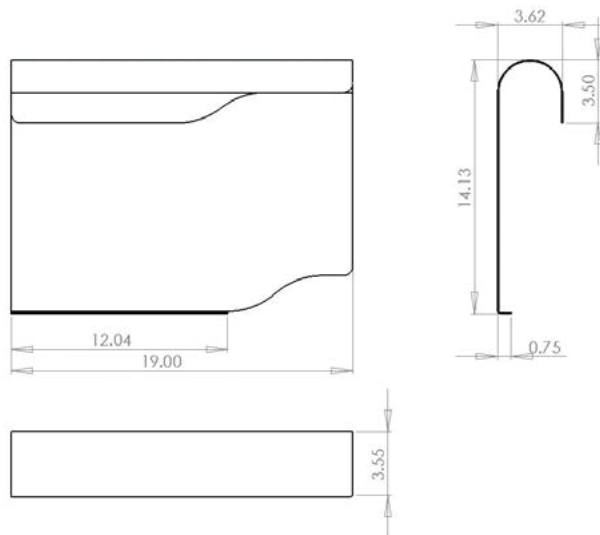
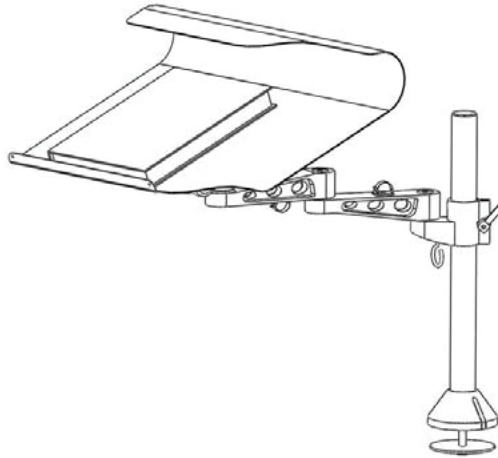
The Curled Lectern Model #00481 can be attached to any of our tops using the easy Bolt-On design. The Lectern is fully adjustable in height as well as position, with a full 360° of motion available.

The Lectern is great for holding textbooks and other lecturing materials. A key feature is the Curled surface, which holds your textbook pages open while you sit back and read without having to struggle those pages open.

The Lectern is also great for student presentations. With the versatile arm, the Lectern can be changed from Teacher's use to Student's use in seconds.

COMPATIBILITY

Compatible with booktruck & cascade riser shelf tops and a wide variety of Smith System desks and tables.



*curled top lectern, bolt-on attachment shown.



MODEL 00481 POLE COLOR



PLATINUM
PLT

MODEL 00481 COLOR OPTIONS



APPLE **A**



BLACK **B**



BLUEBERRY **C**



BURGUNDY **D**



CERULEAN **S**



CHARCOAL **R**



CHOCOLATE **Q**



CLEMENTINE **E**



FOREST GREEN **F**



FUCHSIA **G**



MINT **H**



MOCHA **T**



NAVY **I**



ORANGE **U**



PERSIAN BLUE **J**



PLATINUM **P**



PURPLE **K**



RED **L**



YELLOW **N**