



retractable power modules

MODEL #: 017085 & 017092

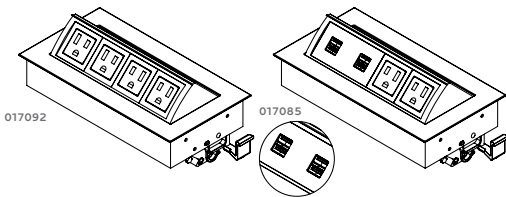
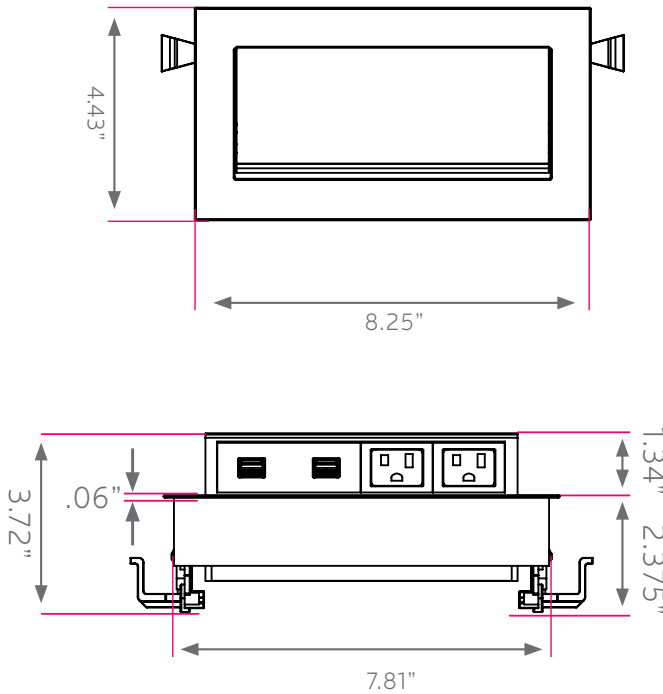
RETRACTABLE POWER MODULES:

4 POWER OR 2 POWER + 4 USB



DIMENSIONS

MODEL #	D"	W"	H"	F.C.	CUBE	WEIGHT
017085 4 USB / 2 power	4.43"	8.25"	3.72"	70	0.9	4 lbs.
017092 4 power	4.43"	8.25"	3.72"	70	0.9	4 lbs.



OVERVIEW

The 017085 & 017092 retractable surface power modules are mounted in the work surface and retract when not in use. Power access remains open when in use and can be retracted into work surface with one finger. Available with four standard power outlets in model 017092, or with two power outlets and four USB charging ports in model 017085.

The power modules are UL listed with a standard 10ft 15 amp power cord. The USB-A charging ports share a total of 1000 mA per pair, which allows charging of cell phones, tablets, e-readers, audio players and other devices that can be charged by USB. The power module is installed in a 4" x 8" cutout in the work surface and is secured using two adjustable molded plastic clips on the sides of the unit. The housing is constructed of durable anodized aluminum and fits in both 3/4" and 1 1/4" thick tops.

COLOR OPTIONS



SILVER
SLV

