



flavors mobile stack chair

18" seat height (a-shell)

MODEL #: 11855



OVERVIEW

*BIFMA compliant.
Comfortable seat helps students keep proper posture and provides support for back and legs. Flat seat pan with waterfall front edge. Chair shell comes in 18 colors and frame in Chrome or Platinum.

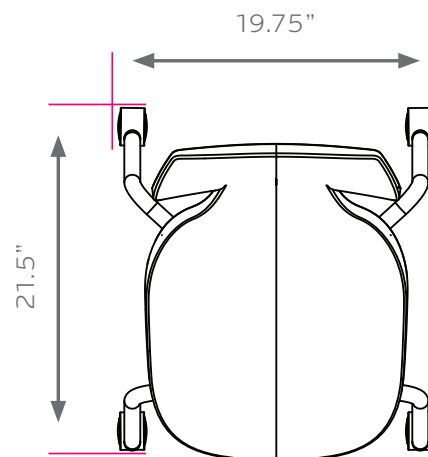
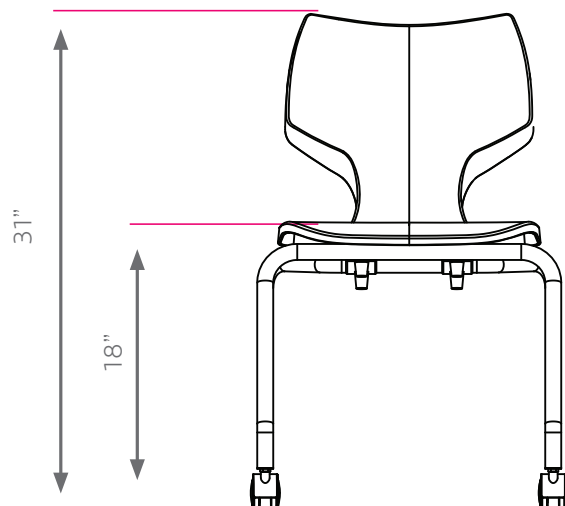
The SHELL is 100% virgin polypropylene material with a shallow seat pan allowing four-position seating for infinite seating styles. The back supplies rigid support while being specifically designed with added flexibility that adapts to individual requirements and supplies long lasting comfort. The shell includes an integrated handle molded in for easy movement of the chair.

The FRAME is constructed of strong 1" x 18-gauge tubing that is chrome plated for long lasting, durable finish is capped off with our durable 2" swivel casters. The shell is attached to 16-gauge brackets via a metal to metal steel riveted connection and includes an integrated handle molded in for easy pick-up and moving of the chair.

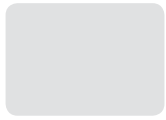
DIMENSIONS

*UPS ELIGIBLE

MODEL #	SHELL (H")	D"	W"	H"	F.C.	CUBE	WEIGHT
11855	A (18")	22"	20"	18"	125	2.4	12 lbs.
	carton dims	27.25"	21.5"	42.5"			



Flavors™ Frame Color Options



CHROME
CHR



PLATINUM
PLT

Flavors™ Shell Color Options



APPLE A



BLACK B



BLUEBERRY C



BURGUNDY D



CERULEAN S



CHARCOAL R



CHOCOLATE Q



CLEMENTINE E



FOREST GREEN F



FUCHSIA G



MINT H



MOCHA T



NAVY I



ORANGE U



PERSIAN BLUE J



PURPLE K

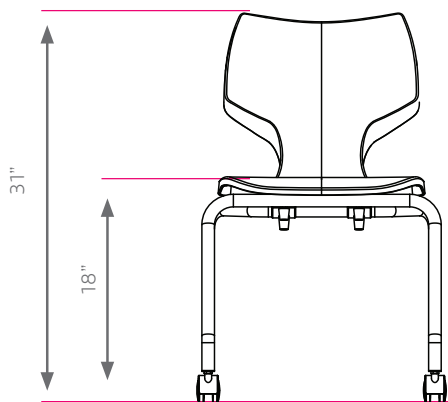


RED L

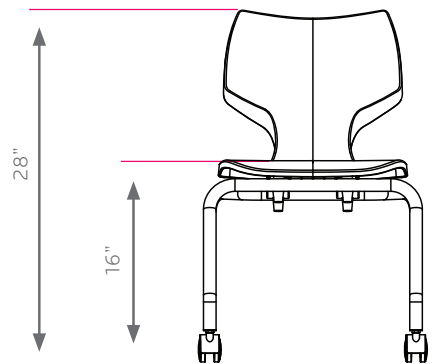


YELLOW N

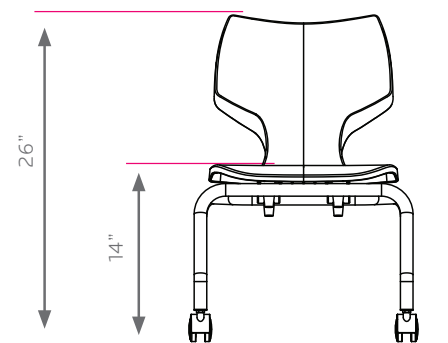
Flavors™ Mobile Chair Sizes



Model 11855
18" A Shell



Model 11854
16" B Shell



Model 11860
14" B Shell