



flat panel mount w/ tilt + swivel

MODEL #: 17351



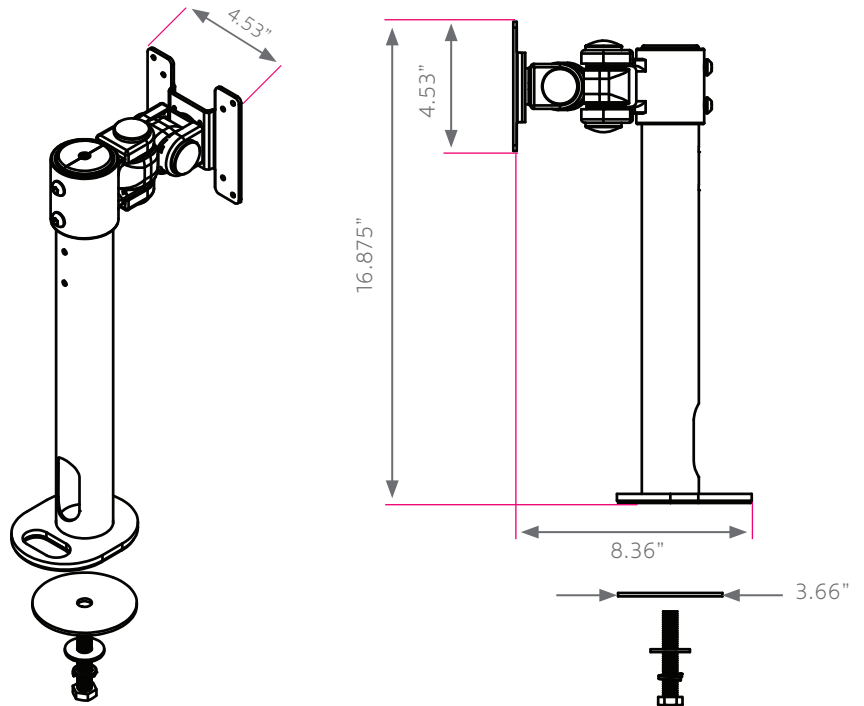
OVERVIEW

This flat panel monitor mounts secure to your desk without occupying usable desk space needed for keyboards or other documents. The tilt feature helps adjust the monitor for viewing angle -- tilt back for taller users or tilt forward for smaller users. The swivel feature is for free rotation of the monitor to up to 90 degrees. The swivel feature prevents the monitor from blocking the view of the instructor. The tilt and swivel features are suitable for interactive classrooms and computer labs.

The dimensions of the monitor mount measure approximately 16.875" in height, 4.5" in width and 8.36" deep. The construction is 12-gauge cold-rolled steel with a mounting plate that is 11-gauge with standard hole patterns, VESA compliant. The mount is intended for 15", 17" and 19" flat panel monitors. This item can be mounted anywhere on the desk as long as there is enough clearance under the table for the 3.66" diameter washer.

DIMENSIONS

MODEL #	D"	W"	H"	WEIGHT
17351	8.36"	4.5"	16.875"	7 lbs.
carton	5"	7.5"	17.5"	



FRAME COLORS



PLATINUM
PLT