



adjustable keyboard shelf

MODEL #: 17622

ADJUSTABLE KEYBOARD SHELF (20" WIDE)

DIMENSIONS + FREIGHT

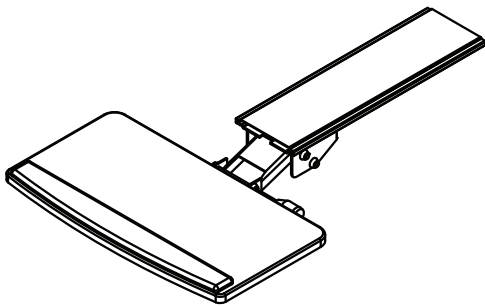
MODEL #	D"	W"	H"	F.C.	CUBE	WEIGHT
17622	11"	20"	6"	70	1.5	20 lbs.
keyboard tray	11"	20"	0.63"			
mounting track	17.75"	5.4"				
carton	24"	11"	4"			

OVERVIEW

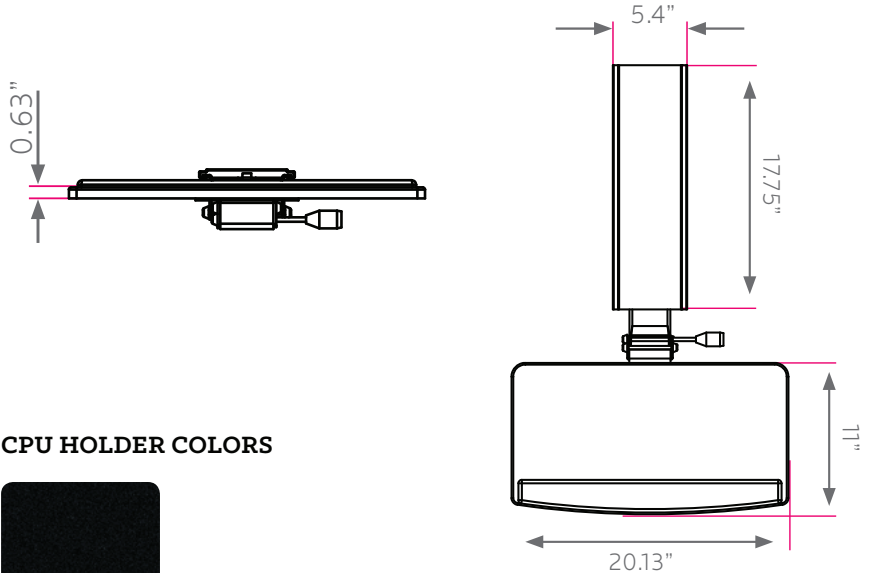
This adjustable keyboard shelf mounts beneath the work surface and provides easy access to your keyboard, while freeing up space for other supplies on the desk top.

MATERIALS

The tray features 5.75" of height adjustment, spring assisted. The Keyboard can be tilted at a range of +/- 15" The Tray also provides 360 degrees rear swivel. 2.25" end of rear of track to rear of keyboard tray. A single knob sets both height and tilt of the tray. For extended comfort, the tray is equipped with a padded palm rest.



Model 17620 (25"w) shown - Model 17622 does not accommodate a keyboard and mouse.



CPU HOLDER COLORS



BLACK